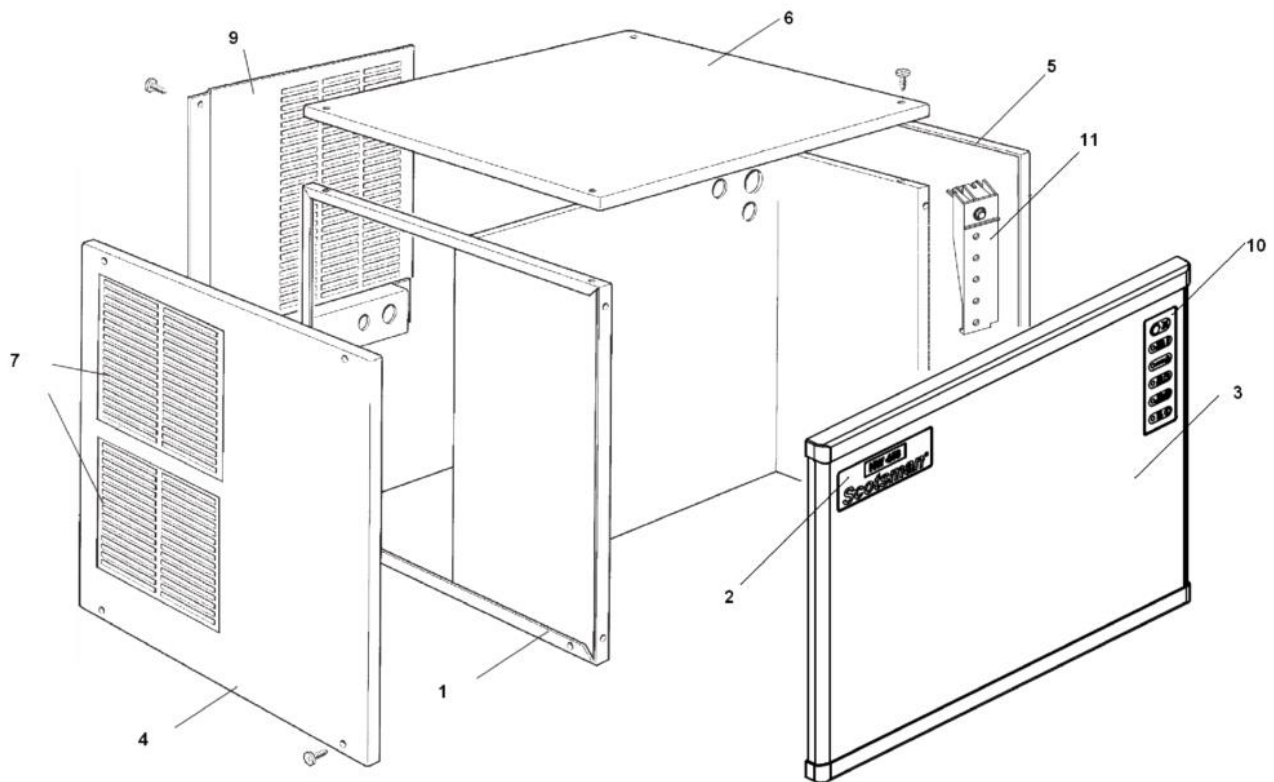
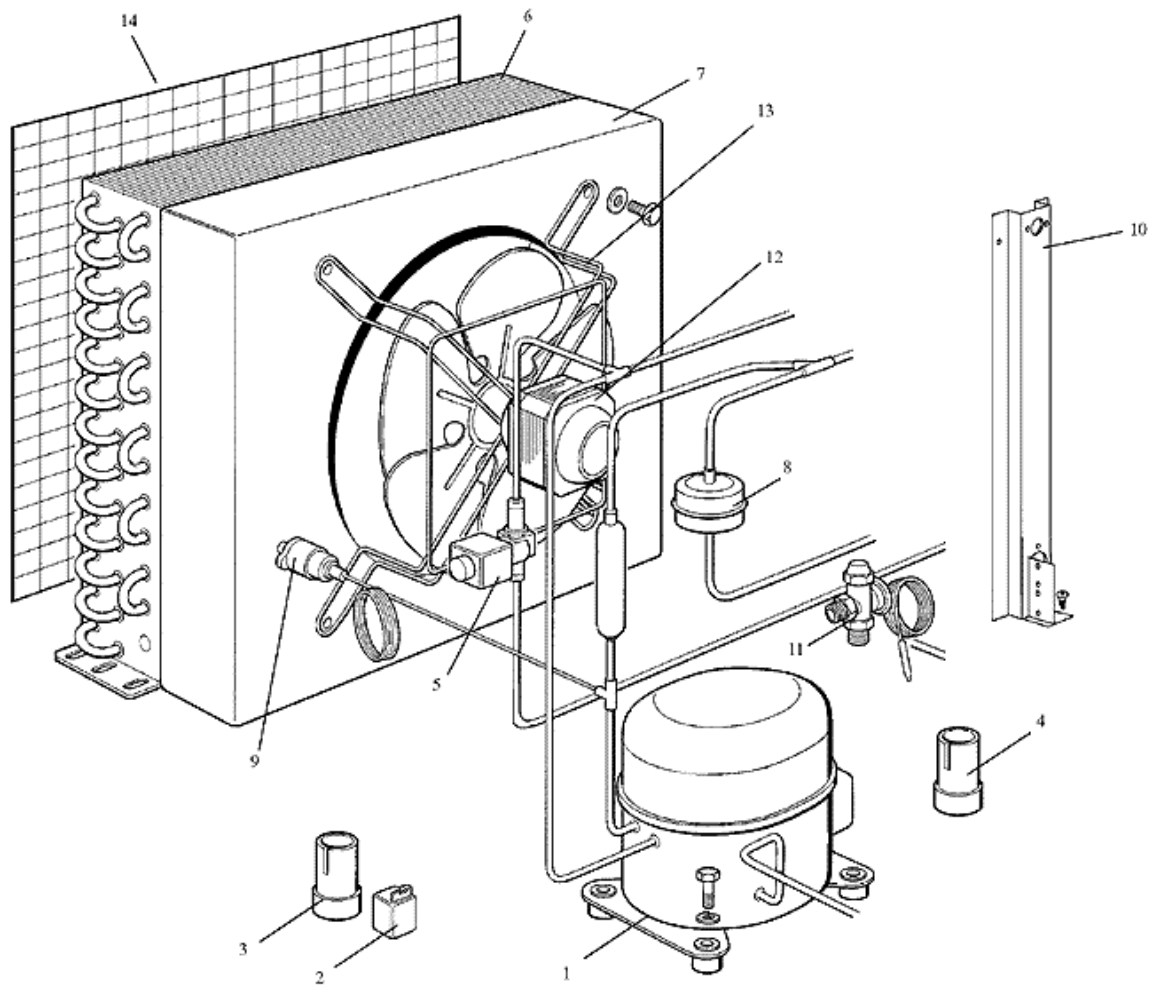


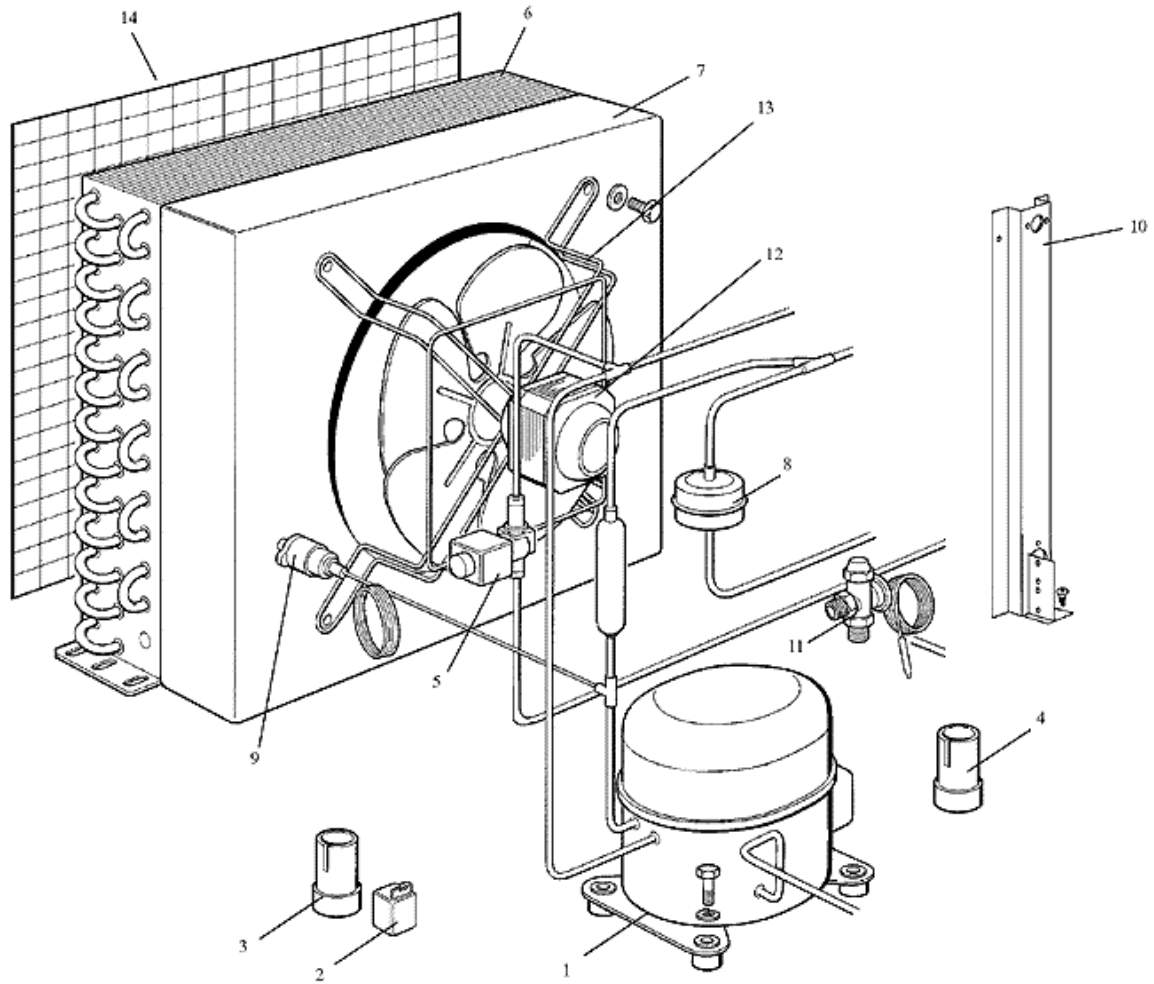
Pos	Code	Description
0003	SCSC 91000079-20	FRONT PANEL
0004	SCCM 25330790	PANEL LEFT SIDE
0005	SCCM 25330788	PANEL RIGHT SIDE
0006	SCCM 81453600	TOP PANEL (USE SCCM 81455074)
0007	SCCM 28295030	GRILL PLASTIC
0009	SCCM 25550781	REAR PANEL
0009	SCCM 25550890	REAR PANEL
0010	SCSC 98020201-02	MONITORING LED LABEL - NW series
0011	SCSC 41000008-00	USE SCSC 97000287-00



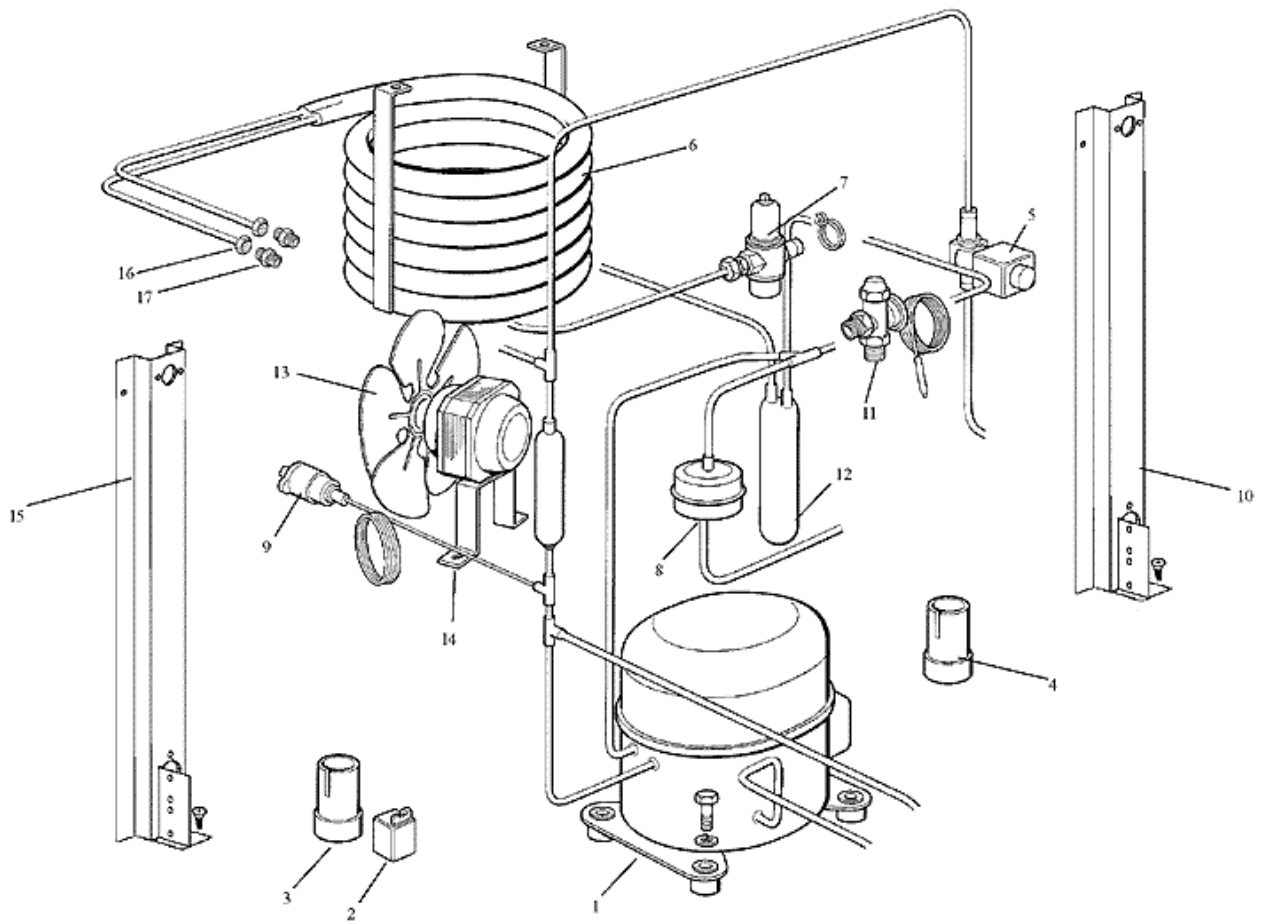
Pos	Code	Description
0003	SCSC 91000079-20	FRONT PANEL
0004	SCSC 11000091-00	LEFT SIDE PANEL
0005	SCSC 11000092-00	RIGHT SIDE PANEL
0006	SCCM 81453600	TOP PANEL (USE SCCM 81455074)
0007	SCSC 41000038-01	PLASTIC SHUTTER
0009	SCCM 25550781	REAR PANEL
0009	SCCM 25550890	REAR PANEL
0010	SCSC 98020201-02	MONITORING LED LABEL - NW series
0011	SCSC 41000008-00	USE SCSC 97000287-00



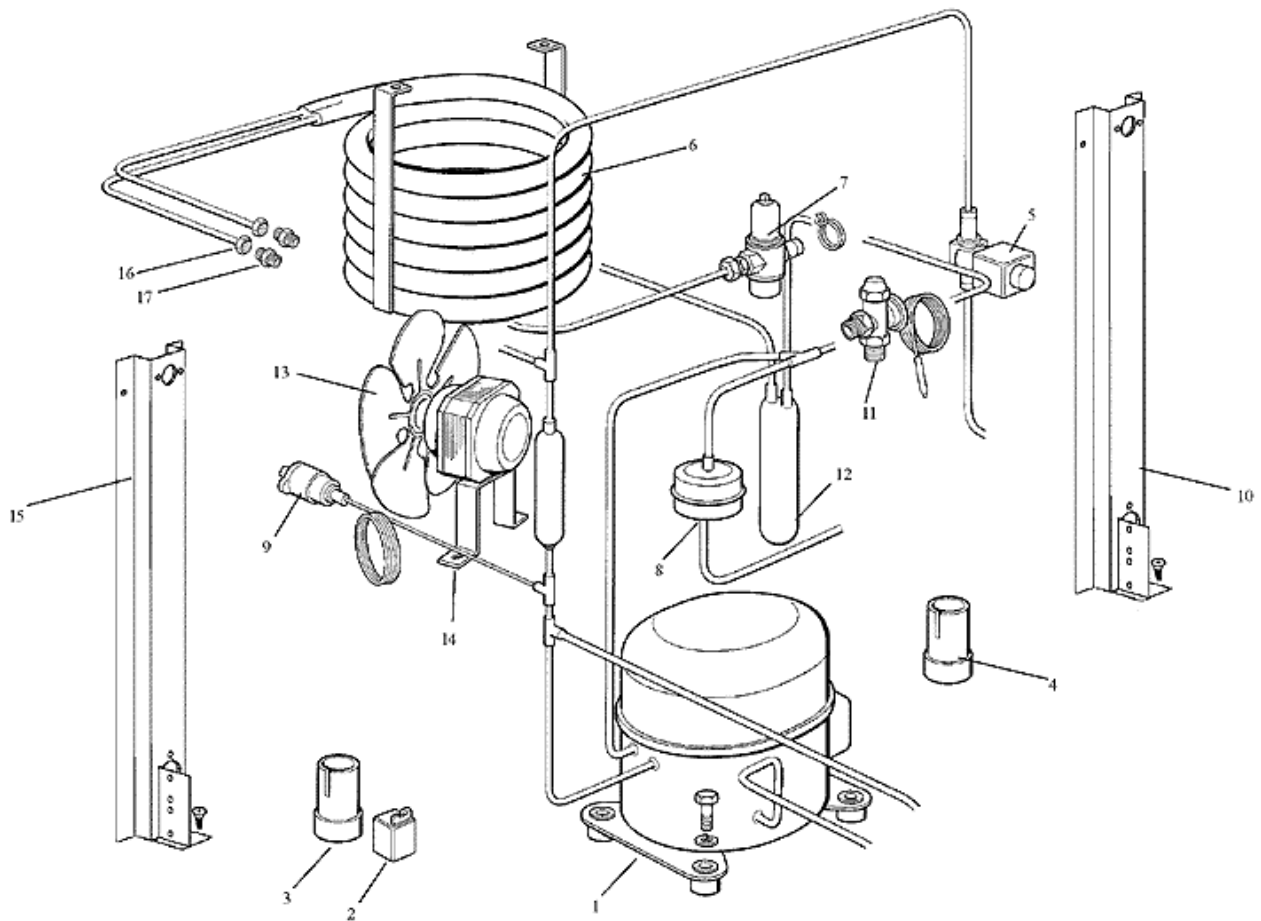
Pos	Code	Description
0001	SC620058 57	PROTECTOR - 230/50/1
0001	SC620058 82	PROTECTOR - 220/60/1 SC670099 10
0001	SC670099 10	COMPRESSOR - USE SC670099 23 220/60/1
0001	SC670099 24	COMPRESSOR - 230/50/1
0002	SC620057 47	STARTING RELAY 230/50/1
0002	SC620057 51	STARTING RELAY 230/60/1 SC670099 10
0003	SC620167 00	START.CAP. - 230/50/1
0004	SC620167 14	CAPACITOR - 230/50-60
0004	SC620167 54	RUN CAPACITOR - 215/60/1
0005	SCSC 19863034-01R	HOT GAS VALVE ASSY 10MM ODS
0005	SCSP 1124012	USE SCCA 9300/RA6
0006	SCSC 19177072-01	AIR COOLED CONDENSER
0007	SCSC 99111201-00	CONDENSER SHROUD
0008	SCCM 19301257	FILTER
0009	SCCM 19550628	HIGH PRESSURE SAFETY SWIT
0010	SCCM 25725530	METAL BRACKET
0011	SCCM 19870401	USE SCCM 19870407
0011	SCCM 25410055	TXV INSULATION
0012	SCCM 18562524	MOTOR
0012	SCCM 25726513	BRACKET
0013	SC620419 34	BLADE
0013	SCCM 25726513	BRACKET
0014	SCCM 25339006	FILTER



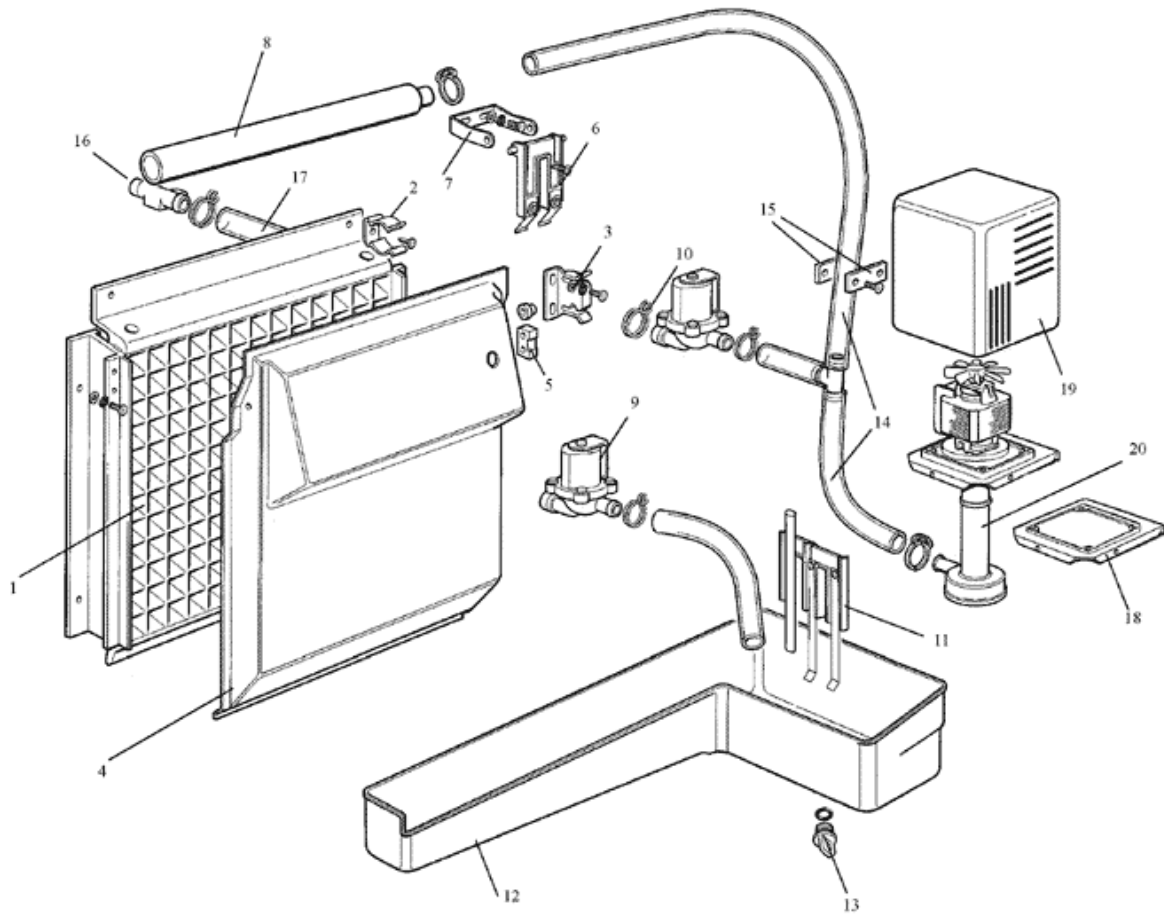
Pos	Code	Description
0001	SC620058 57	PROTECTOR - 230/50/1
0001	SC620058 82	PROTECTOR - 220/60/1 SC670099 10
0001	SC670099 10	COMPRESSOR - USE SC670099 23 220/60/1
0001	SC670099 24	COMPRESSOR - 230/50/1
0002	SC620057 47	STARTING RELAY 230/50/1
0002	SC620057 51	STARTING RELAY 230/60/1 SC670099 10
0003	SC620167 00	START.CAP. - 230/50/1
0004	SC620167 14	CAPACITOR - 230/50-60
0004	SC620167 54	RUN CAPACITOR - 215/60/1
0005	SCSC 19863034-01R	HOT GAS VALVE ASSY 10MM ODS
0005	SCSP 1124012	USE SCCA 9300/RA6
0006	SCSC 19177072-01	AIR COOLED CONDENSER
0007	SCSC 99111201-00	CONDENSER SHROUD
0008	SCCM 19301257	FILTER
0009	SCCM 19550628	HIGH PRESSURE SAFETY SWIT
0010	SCCM 25725530	METAL BRACKET
0011	SCCM 25410055	TXV INSULATION
0011	SCSC 81000001-00	EXPANSION VALVE
0012	SCCM 18562524	MOTOR
0012	SCCM 25726513	BRACKET
0013	SC620419 34	BLADE
0013	SCCM 25726513	BRACKET
0014	SCCM 25339006	FILTER



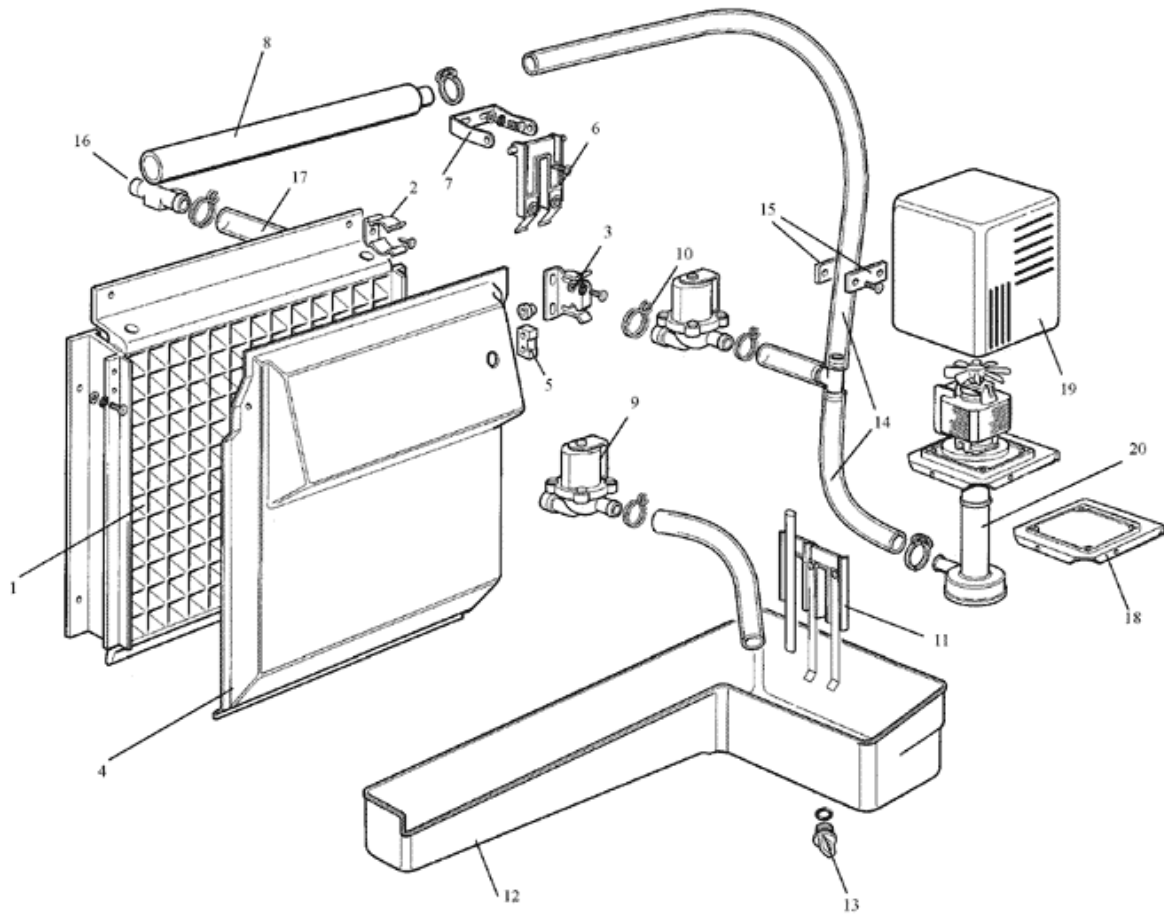
Pos	Code	Description
0001	SC620058 57	PROTECTOR - 230/50/1
0001	SC620058 82	PROTECTOR - 220/60/1 SC670099 10
0001	SC670099 10	COMPRESSOR - USE SC670099 23 220/60/1
0001	SC670099 24	COMPRESSOR - 230/50/1
0002	SC620057 47	STARTING RELAY 230/50/1
0002	SC620057 51	STARTING RELAY 230/60/1 SC670099 10
0003	SC620167 00	START.CAP. - 230/50/1
0004	SC620167 14	CAPACITOR - 230/50-60
0004	SC620167 54	RUN CAPACITOR - 215/60/1
0005	SCSC 19863034-01R	HOT GAS VALVE ASSY 10MM ODS
0005	SCSP 1124012	USE SCCA 9300/RA6
0006	SCSC 81000004-00	WATER COOLED CONDENSER
0007	SC620111 00	WATER REGUL. VALVE
0008	SCCM 19301257	FILTER
0009	SCCM 19550628	HIGH PRESSURE SAFETY SWIT
0010	SCCM 25725530	METAL BRACKET
0011	SCCM 19870401	USE SCCM 19870407
0011	SCCM 25410055	TXV INSULATION
0015	SCSC 11000051-00	
0016	SCSC 94000011-00	KIT WATER INLET FITTINGS
0017	SCSC 94000012-00	KIT WATER OUTLET FITTINGS



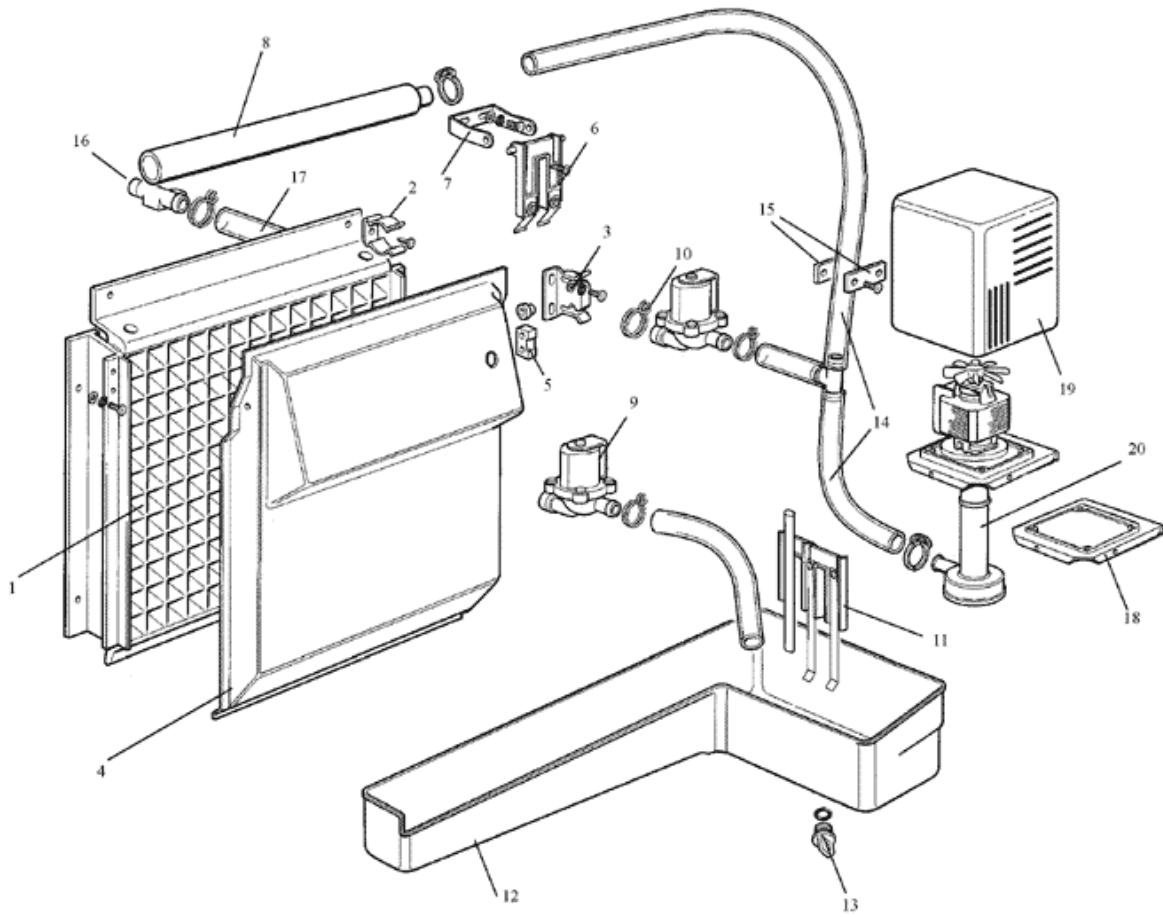
Pos	Code	Description
0001	SC620058 57	PROTECTOR - 230/50/1
0001	SC620058 82	PROTECTOR - 220/60/1 SC670099 10
0001	SC670099 10	COMPRESSOR - USE SC670099 23 220/60/1
0001	SC670099 24	COMPRESSOR - 230/50/1
0002	SC620057 47	STARTING RELAY 230/50/1
0002	SC620057 51	STARTING RELAY 230/60/1 SC670099 10
0003	SC620167 00	START.CAP. - 230/50/1
0004	SC620167 14	CAPACITOR - 230/50-60
0004	SC620167 54	RUN CAPACITOR - 215/60/1
0005	SCSC 19863034-01R	HOT GAS VALVE ASSY 10MM ODS
0005	SCSP 1124012	USE SCCA 9300/RA6
0006	SCSC 81000004-00	WATER COOLED CONDENSER
0007	SC620111 00	WATER REGUL. VALVE
0008	SCCM 19301257	FILTER
0009	SCCM 19550628	HIGH PRESSURE SAFETY SWIT
0010	SCCM 25725530	METAL BRACKET
0011	SCCM 25410055	TXV INSULATION
0011	SCSC 81000001-00	EXPANSION VALVE
0015	SCSC 11000051-00	
0016	SCSC 94000011-00	KIT WATER INLET FITTINGS
0017	SCSC 94000012-00	KIT WATER OUTLET FITTINGS



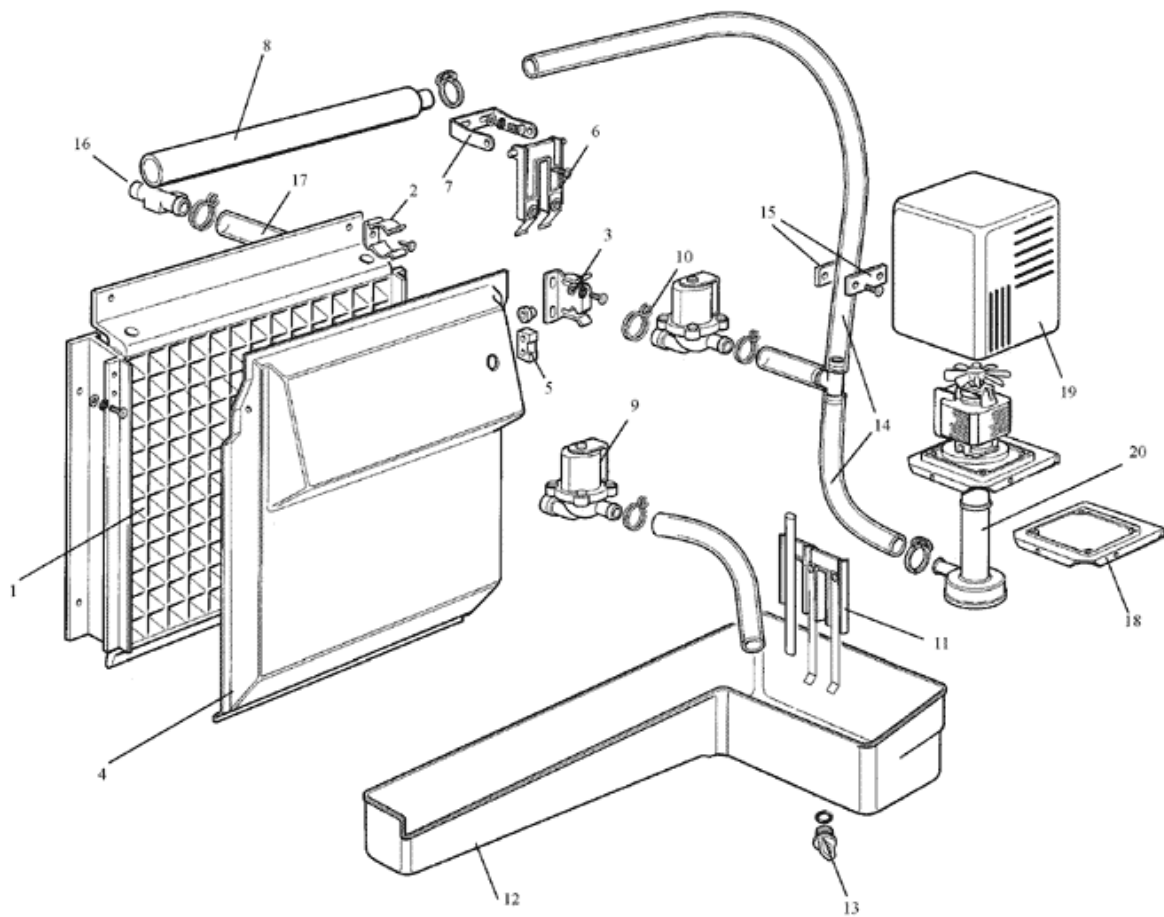
Pos	Code	Description
0001	SCSC 93000045-10	EVAPORATOR DICE
0001	SCSC 93000045-11	EVAPORATOR HALF LARGE
0002	SCCM 25474608	METAL CLIP
0003	SCSC 25726473-00	ICE DEFLECTOR BRACKET
0004	SCCM 81453630	USE SCSC 81453630-10
0005	SCCM 19355007	MGT
0006	SCCM 81453434	SENSOR, ICE THICKNESS
0007	SCCM 25725450	SENSOR SYST. BRKT
0008	SCCM 81453575	USE SCSC 94000052-00
0009	SCSC 65010500-00	WATER INLET VALVE
0010	SC11000564 02	USE SCSC 82000017-99
0011	SCCM 81453796	WATER LEVEL SENSOR
0012	SCCM 25820125	WATER SUMP
0012	SCSC 19950006-00	THUMB SCREW PLASTIC HEAD
0013	SC640041 31	O RING OR 2031 (WRAS-FDA)
0013	SCCM 25730503	DRAIN PLUG.
0014	SCSC 81454805-00	WATER HOSE
0015	SC793247 00R	WATER RESTRICTION KIT
0016	SCCM 25690807	DRAIN FITTING
0017	SCSC 25792106-00	TUBE
0018	SCCM 25725531	PUMP BRACKET
0019	SCCM 81453627	WATER PUMP COVER
0020	SC620433 00	USE SC620433 08R
0020	SC620433 01	WATER PUMP - 230/60/1



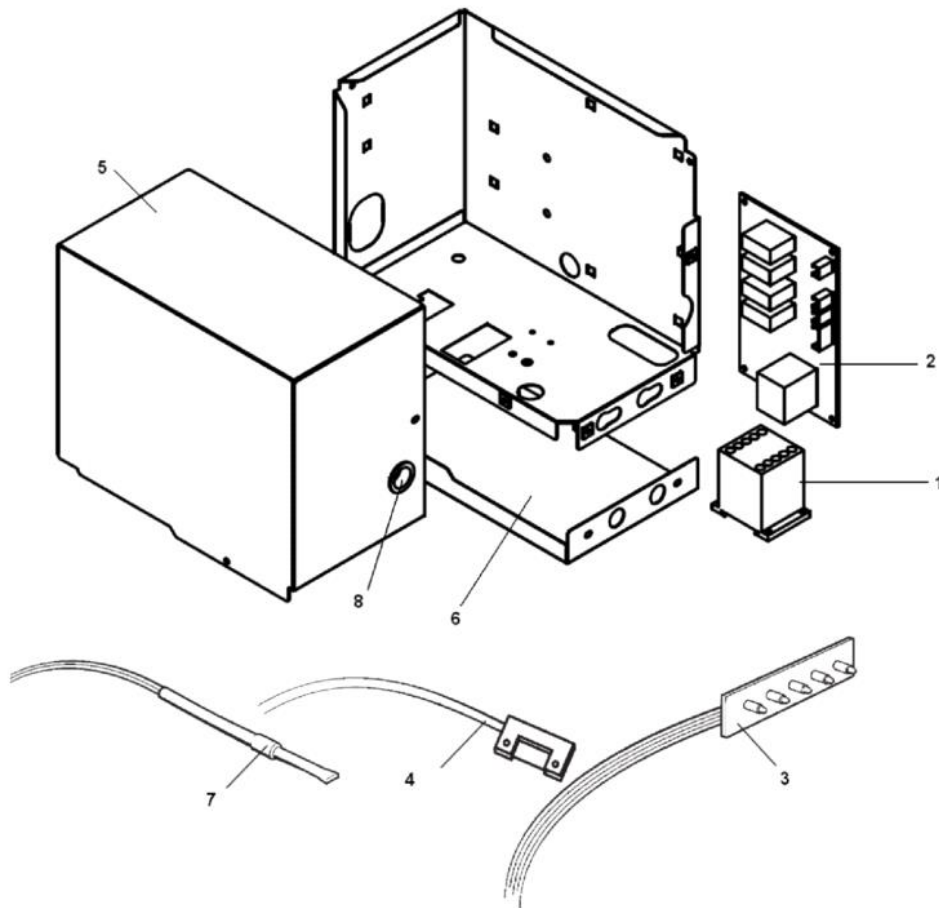
Pos	Code	Description
0001	SCSC 93000045-10	EVAPORATOR DICE
0001	SCSC 93000045-11	EVAPORATOR HALF LARGE
0002	SCCM 25474608	METAL CLIP
0003	SCSC 25726473-00	ICE DEFLECTOR BRACKET
0004	SCCM 81453630	USE SCSC 81453630-10
0005	SCCM 19355007	MGT
0006	SCCM 81453434	SENSOR, ICE THICKNESS
0007	SCCM 25725450	SENSOR SYST. BRKT
0008	SCCM 81453575	USE SCSC 94000052-00
0009	SCSC 65010500-00	WATER INLET VALVE
0010	SC11000564 02	USE SCSC 82000017-99
0011	SCCM 81453796	WATER LEVEL SENSOR
0012	SCSC 19950006-00	THUMB SCREW PLASTIC HEAD
0012	SCSC 41000004-00	USE SCSC 94000002-10
0013	SCSC 41000005-00	DRAIN PLUG
0013	SCSC 87000001-00	O RING
0014	SCSC 81454805-00	WATER HOSE
0015	SC793247 00R	WATER RESTRICTION KIT
0016	SCCM 25690807	DRAIN FITTING
0017	SCSC 25792106-00	TUBE
0018	SCSC 11000058-00	WATER PUMP BRACKET
0019	SCSC 91000015-00	WATER PUMP COVER
0020	SC620433 00	USE SC620433 08R
0020	SC620433 01	WATER PUMP - 230/60/1



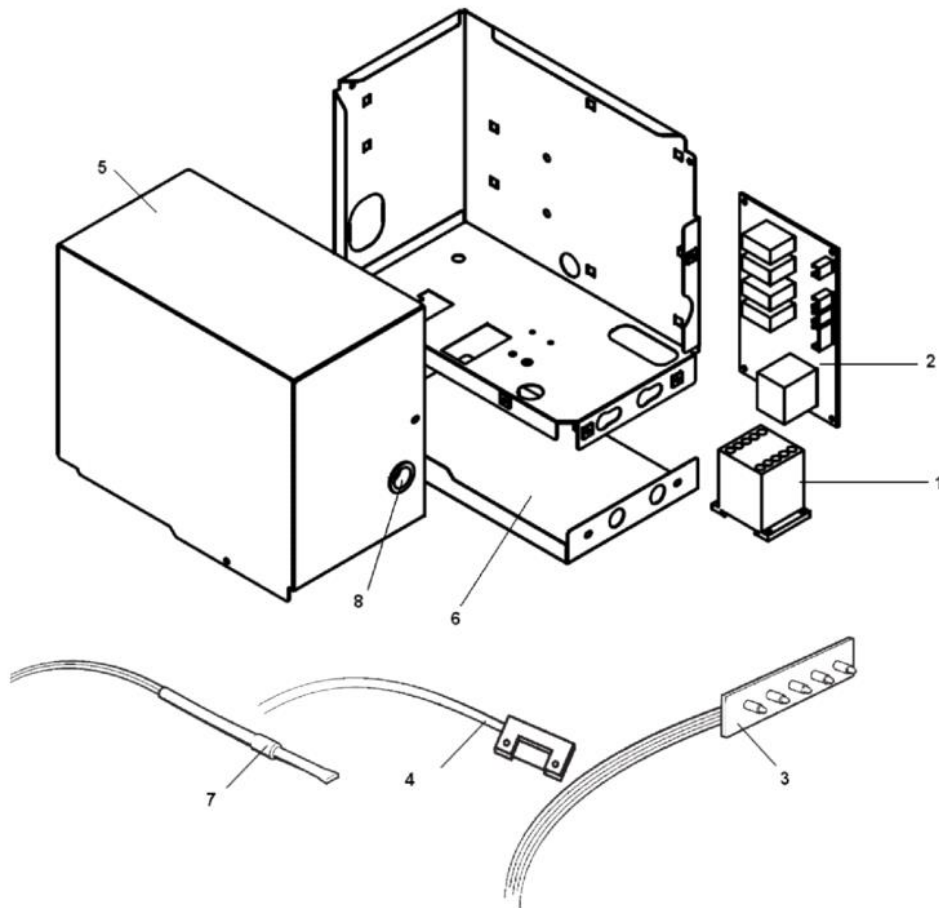
Pos	Code	Description
0001	SCSC 93000045-10	EVAPORATOR DICE
0001	SCSC 93000045-11	EVAPORATOR HALF LARGE
0001	SCSC 93000045-12	EVAPORATOR LARGE CUBE
0002	SCCM 25474608	METAL CLIP
0003	SCSC 25726473-00	ICE DEFLECTOR BRACKET
0004	SCCM 81453630	USE SCSC 81453630-10
0005	SC11000563 02	MAGNET
0006	SCSC 98050106-00	ICE THICKNESS SENSOR
0007	SCCM 25725450	SENSOR SYST. BRKT
0008	SCCM 81453575	USE SCSC 94000052-00
0009	SCSC 65010500-00	WATER INLET VALVE
0010	SC11000564 02	USE SCSC 82000017-99
0011	SCSC 98050107-00	WATER LEVEL SENSOR
0012	SCSC 19950006-00	THUMB SCREW PLASTIC HEAD
0012	SCSC 41000004-00	USE SCSC 94000002-10
0013	SCSC 41000005-00	DRAIN PLUG
0013	SCSC 87000001-00	O RING
0014	SCSC 81454805-00	WATER HOSE
0015	SC793247 00R	WATER RESTRICTION KIT
0016	SCCM 25690807	DRAIN FITTING
0017	SCSC 25792106-00	TUBE
0018	SCSC 11000058-00	WATER PUMP BRACKET
0019	SCSC 91000015-00	WATER PUMP COVER
0020	SC620433 00	USE SC620433 08R
0020	SC620433 01	WATER PUMP - 230/60/1



Pos	Code	Description
0001	SCSC 93000045-10	EVAPORATOR DICE
0001	SCSC 93000045-11	EVAPORATOR HALF LARGE
0001	SCSC 93000045-12	EVAPORATOR LARGE CUBE
0002	SCCM 25474608	METAL CLIP
0003	SCSC 25726473-00	ICE DEFLECTOR BRACKET
0004	SCCM 81453630	USE SCSC 81453630-10
0005	SC11000563 02	MAGNET
0006	SCSC 98050106-00	ICE THICKNESS SENSOR
0007	SCCM 25725450	SENSOR SYST. BRKT
0008	SCCM 81453575	USE SCSC 94000052-00
0009	SCSC 65010500-00	WATER INLET VALVE
0010	SC11000564 02	USE SCSC 82000017-99
0011	SCSC 98050107-00	WATER LEVEL SENSOR
0012	SCSC 19950006-00	THUMB SCREW PLASTIC HEAD
0012	SCSC 41000004-00	USE SCSC 94000002-10
0013	SCSC 41000005-00	DRAIN PLUG
0013	SCSC 87000001-00	O RING
0014	SCSC 81454805-00	WATER HOSE
0015	SC793247 00R	WATER RESTRICTION KIT
0016	SCCM 25690807	DRAIN FITTING
0017	SCSC 25792106-00	TUBE
0018	SCSC 11000058-00	WATER PUMP BRACKET
0019	SCSC 91000015-00	WATER PUMP COVER
0020	SC620433 00	USE SC620433 08R
0020	SC620433 01	WATER PUMP - 230/60/1



Pos	Code	Description
0001	SC630119 00	CONTACTOR
0002	SCCM 33580250	PC BOARD - 230/50-60/1
0003	SCCM 33580151	MONITORING LED ASSY
0004	SCCM 33210019	USE SCCM 33210019-1
0005	SCSC 98010601-00	CONTROL BOX COVER
0006	SCSC 98010701-00	SERVICE TUBE COVER
0007	SCCM 33580101	CONDENSER SENSOR
0008	SCSC 99200205-00	SNAP BUSHING



Pos	Code	Description
0001	SC630119 00	CONTACTOR
0002	SCSC 98050101-00	PC BOARD - 230/50-60/1
0002	SCSC 99020404-00	TRANSFORMER
0003	SCSC 98050105-00	MONITORING LED ASSY
0004	SCSC 98050103-00	MAGNET SWITCH
0005	SCSC 98010601-00	CONTROL BOX COVER
0006	SCSC 98010701-00	SERVICE TUBE COVER
0007	SCSC 99020468-00	CONDENSER SENSOR
0008	SCSC 99200205-00	SNAP BUSHING