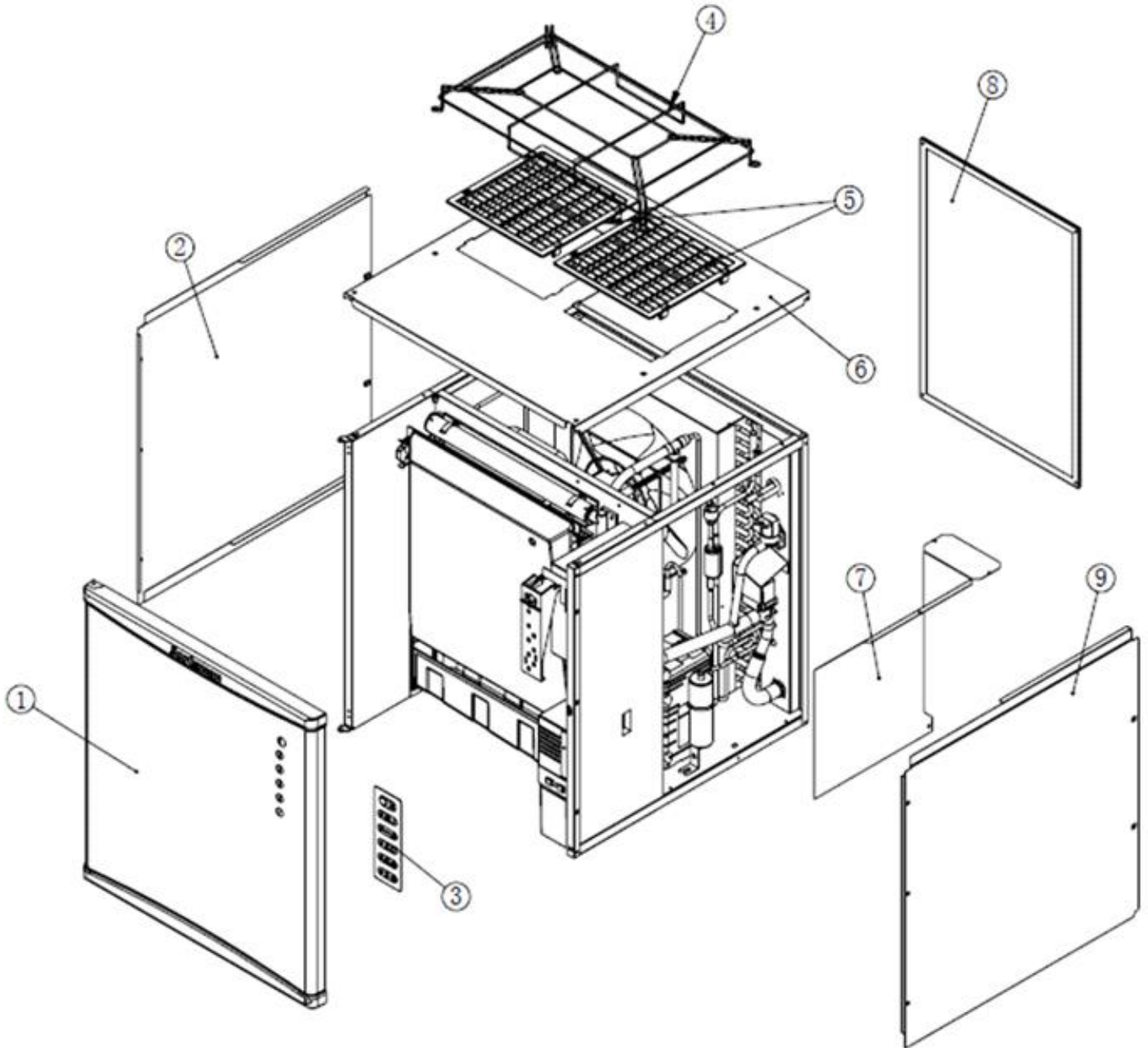
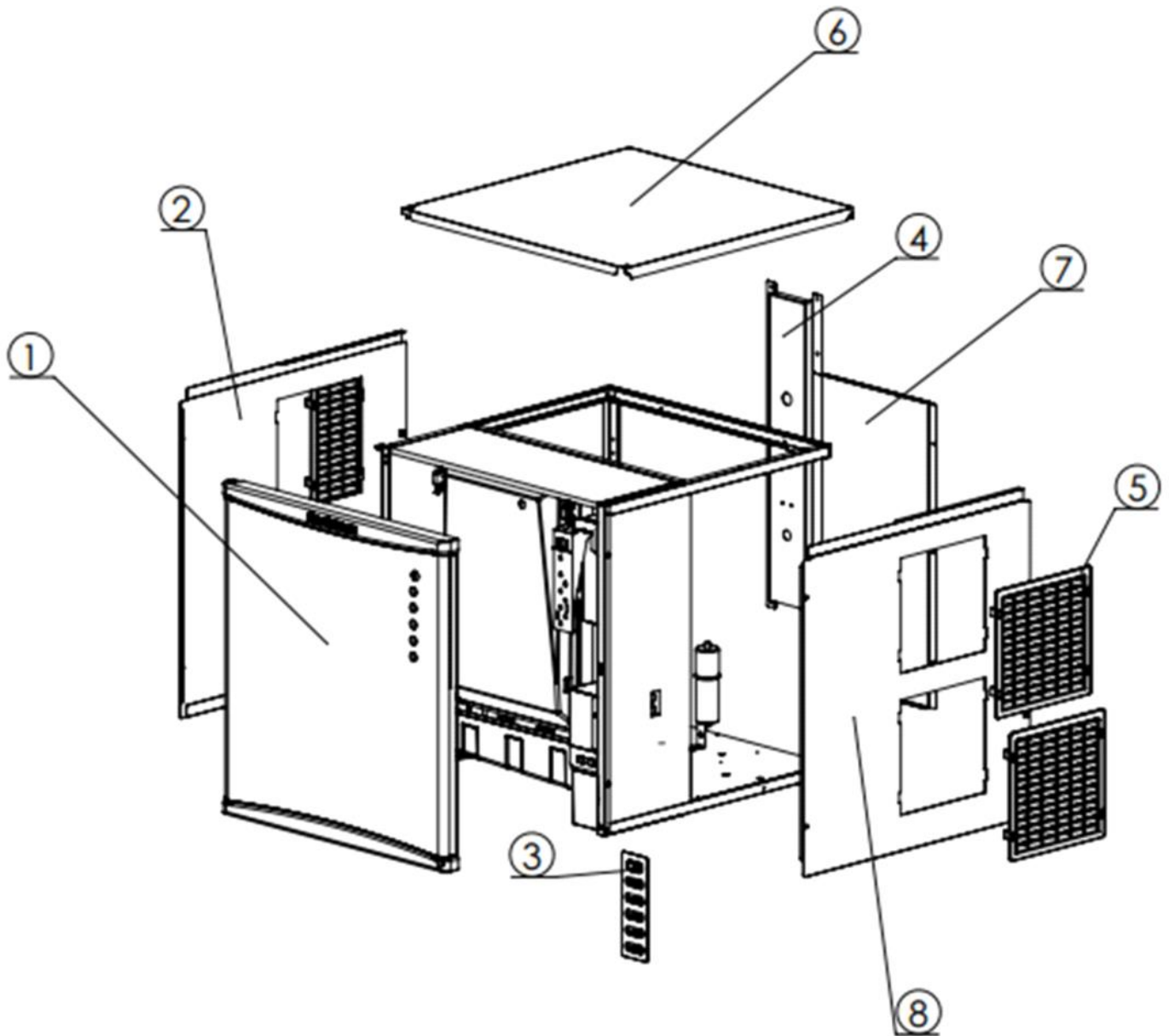


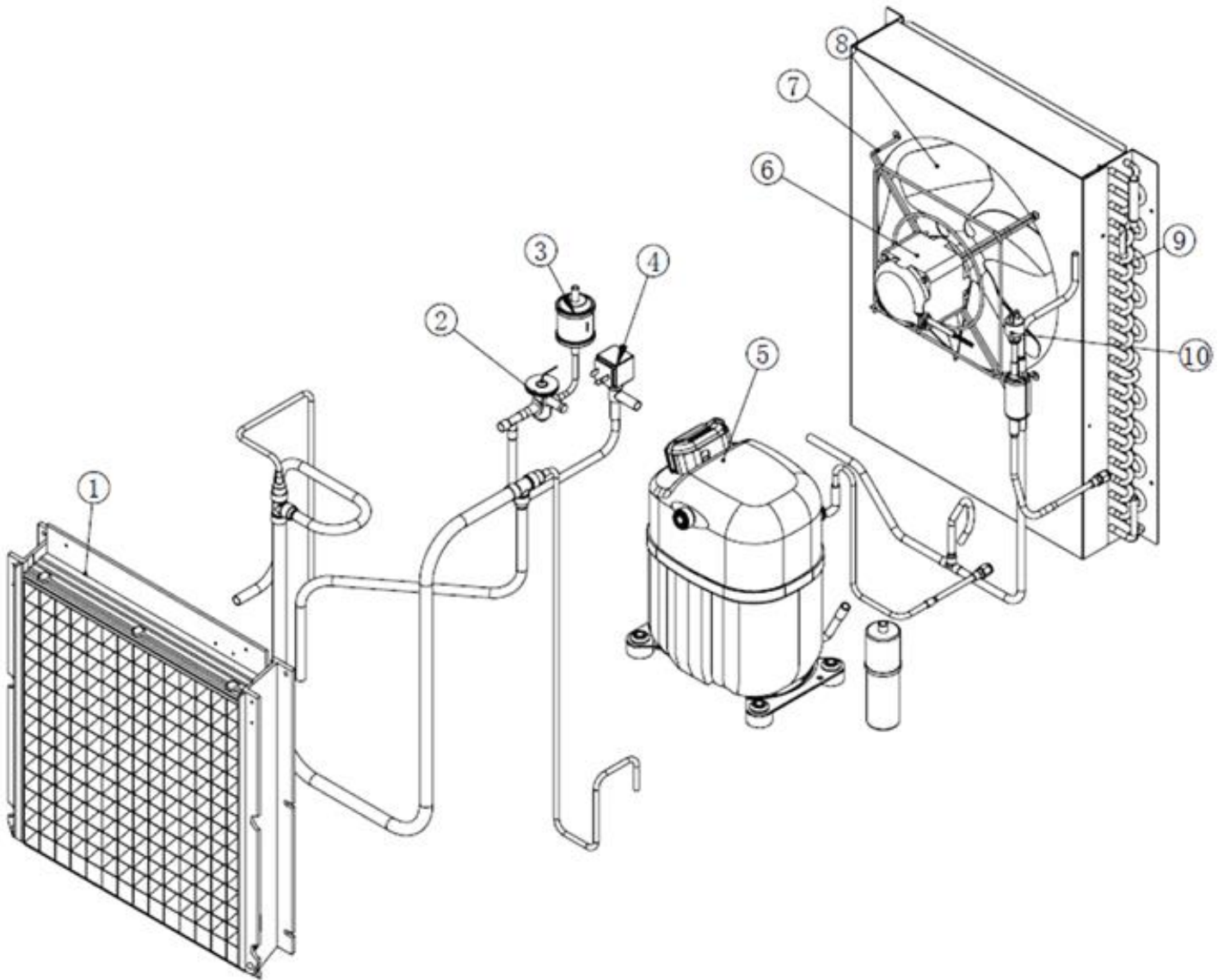
Pos	Code	Description
0001	SCSC 91000121-10	FRONT PANEL W/ PLASTIC BACK PANEL
0001	SCSC 97000184-00	FRONT PANEL HINGE KIT 308/508
0002	SCSC 11000111-00	LEFT SIDE PANEL NW 308-508
0003	SCSC 98020201-02	MONITORING LED LABEL - NW series
0004	SCSC 80000011-00	AIR FLOW PROTECTION
0005	SCSC 41000038-01	PLASTIC SHUTTER
0006	SCSC 11000089-00	TOP PANEL
0007	SCSC 11000087-00	PANEL
0008	SCSC 80000005-00	AIR FILTER
0009	SCSC 11000088-00	RIGHT SIDE PANEL NW 308-508



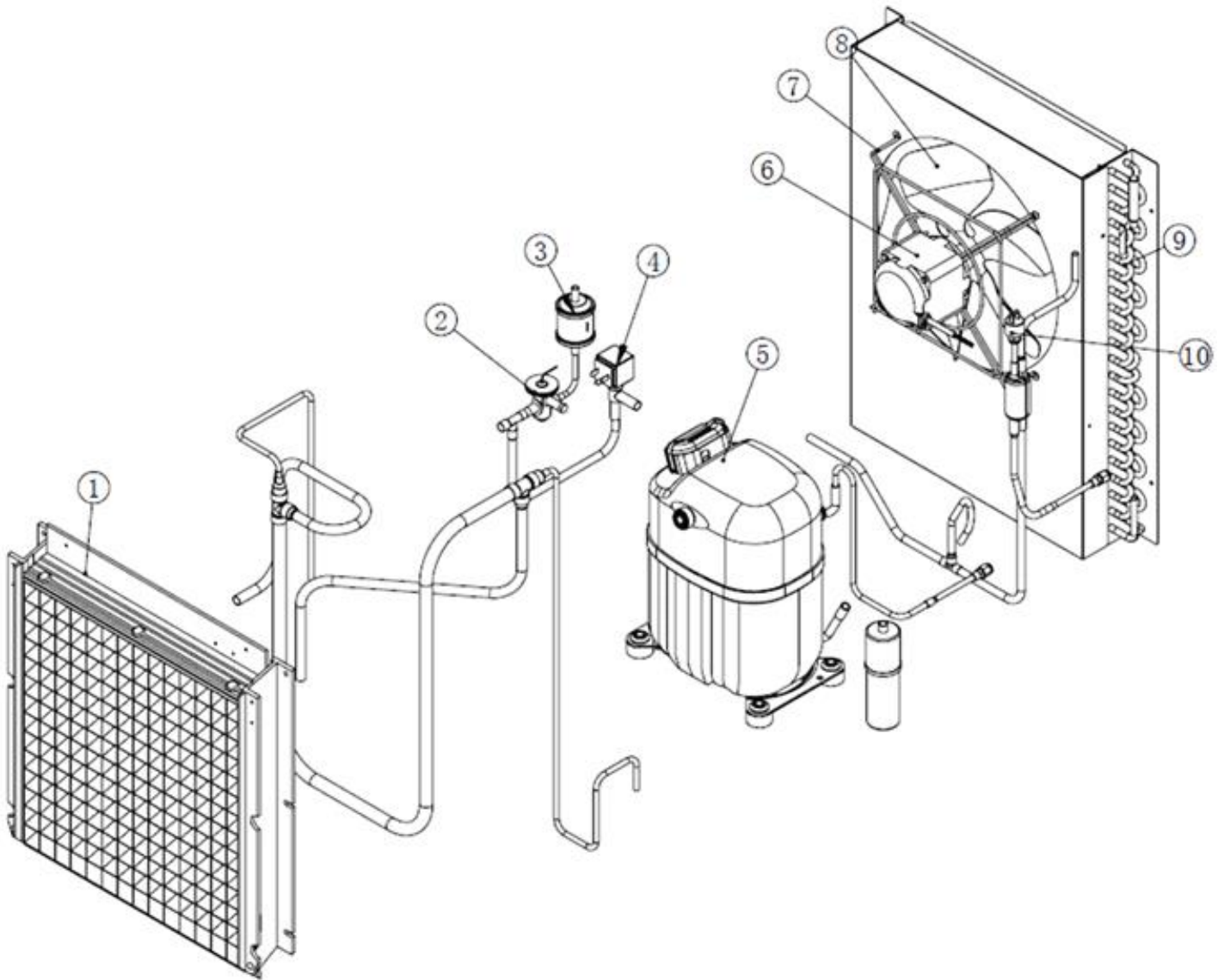
Pos	Code	Description
0001	SCSC 91000121-10	FRONT PANEL W/ PLASTIC BACK PANEL
0001	SCSC 97000184-00	FRONT PANEL HINGE KIT 308/508
0002	SCSC 11000111-00	LEFT SIDE PANEL NW 308-508
0003	SCSC 98020201-02	MONITORING LED LABEL - NW series
0004	SCSC 80000011-00	AIR FLOW PROTECTION
0005	SCSC 41000038-01	PLASTIC SHUTTER
0006	SCSC 11000089-00	TOP PANEL
0007	SCSC 11000087-00	PANEL
0008	SCSC 80000019-00	AIR FILTER
0009	SCSC 11000088-00	RIGHT SIDE PANEL NW 308-508



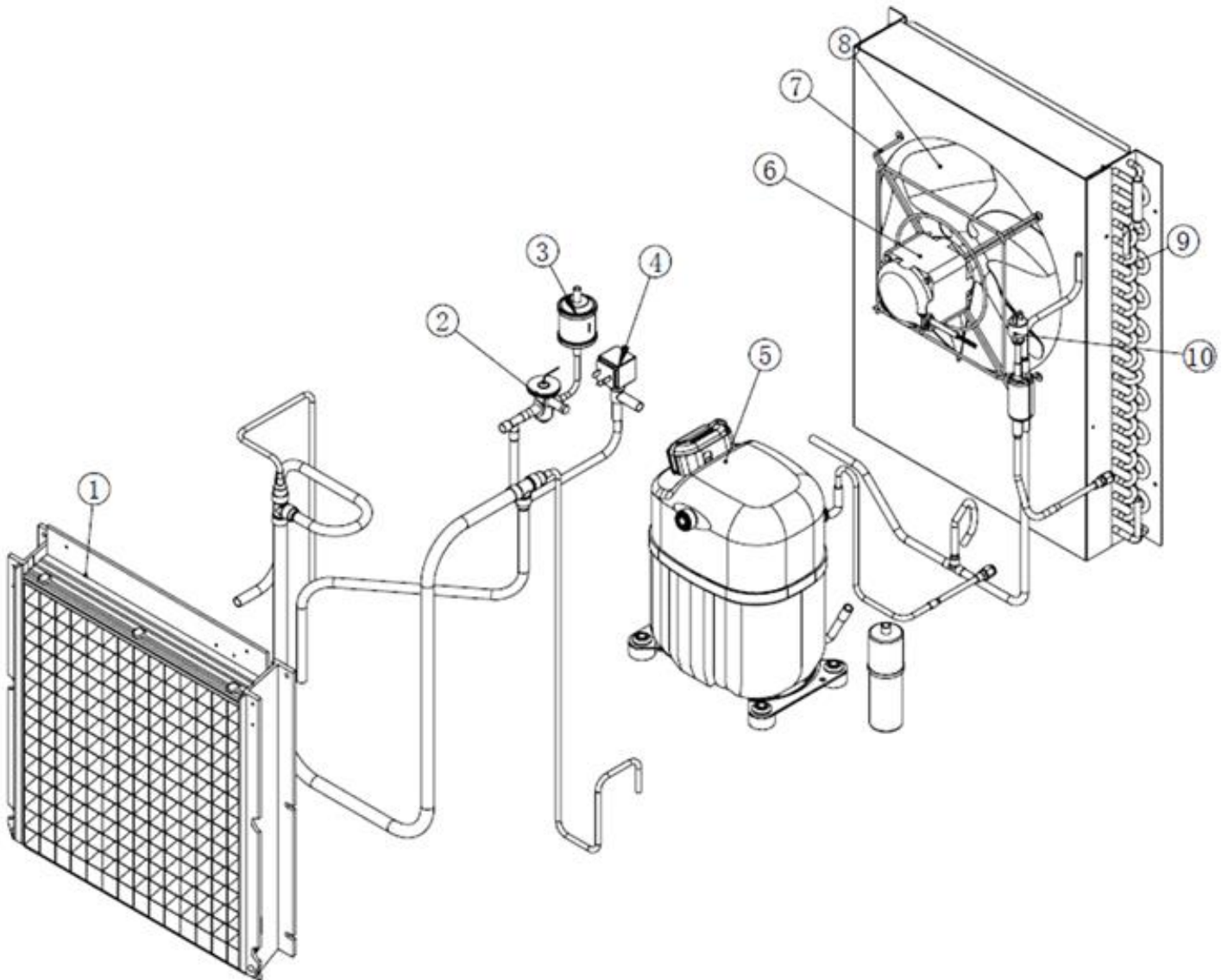
Pos	Code	Description
0001	SCSC 91000017-10	USE SCSC 91000121-10
0001	SCSC 97000184-00	FRONT PANEL HINGE KIT 308/508
0002	SCSC 11000184-00	LEFT SIDE PANEL
0003	SCSC 98020201-02	MONITORING LED LABEL - NW series
0004	SCSC 11000217-00	COND. WATER INLET/OUTLET PANEL 308-508
0005	SCSC 41000038-01	PLASTIC SHUTTER
0006	SCSC 11000182-00	TOP PANEL
0007	SCSC 11000216-00	BACK PLATE WATER COOLED 308-508
0008	SCSC 11000183-00	RIGHT SIDE PANEL



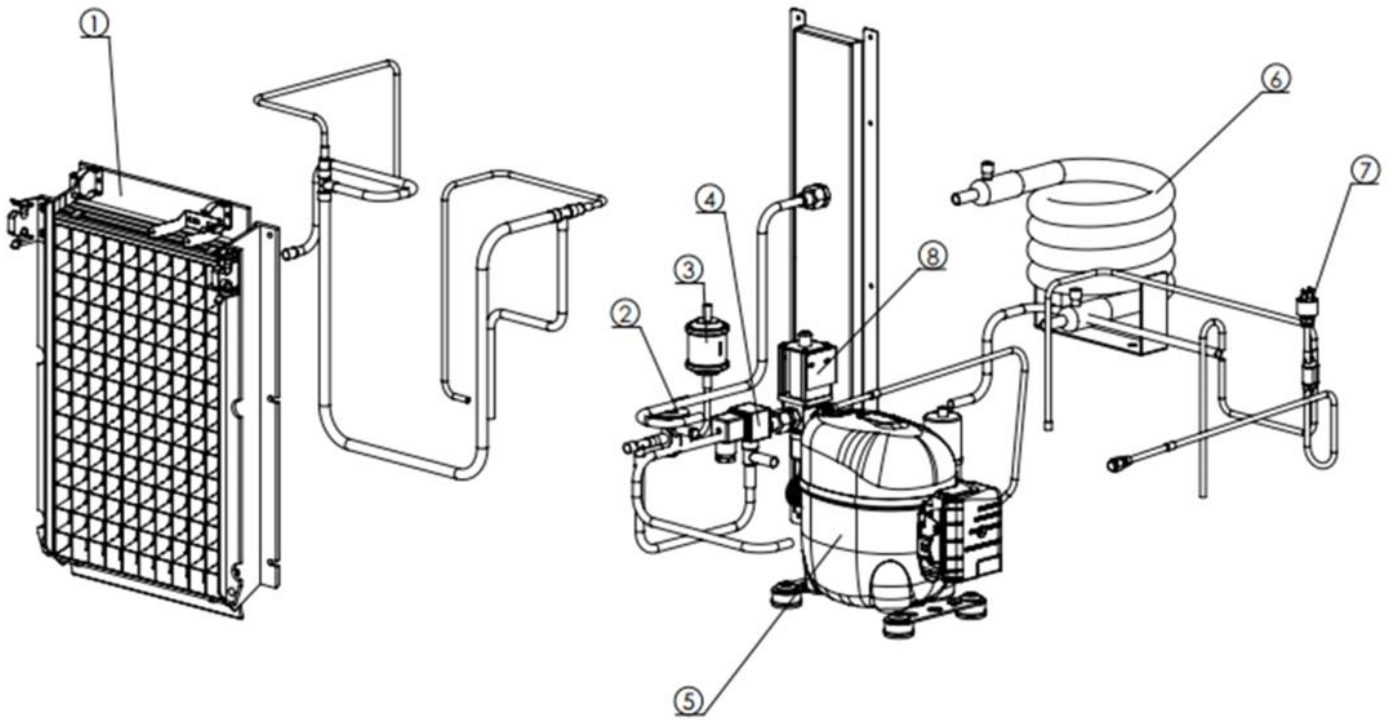
Pos	Code	Description
0001	SCSC 93000023-00	USE SCSC 93000043-10
0001	SCSC 93000023-01	EVAP.-HALFDICE
0002	SCSC 99300605-00	TXV
0003	SCCM 19300357	DRIER
0004	SCSC 97000114-00	HOT GAS VALVE KIT
0005	SC620057 43	STARTING RELAY 230/50/1
0005	SC620057 70	STARTING RELAY 230/60/1 SC670099 00
0005	SC620167 00	START.CAP. - 230/50/1
0005	SC620167 25	RUN CAPACITOR - 220/50-60/1
0005	SC620478 15	PROTECTOR - 8571342
0005	SC620478 28	PROTECTOR 220/60/1
0005	SC670106 21	COMPRESSOR - 220/60/1
0005	SC670106 23	COMPRESSOR - 230/50/1
0006	SCCM 18562524	MOTOR
0007	SCCM 25726513	BRACKET
0008	SC620419 37	BLADE (#)
0009	SCSC 81000015-00	AIR COOLED CONDENSER
0010	SCCM 19550628	HIGH PRESSURE SAFETY SWIT



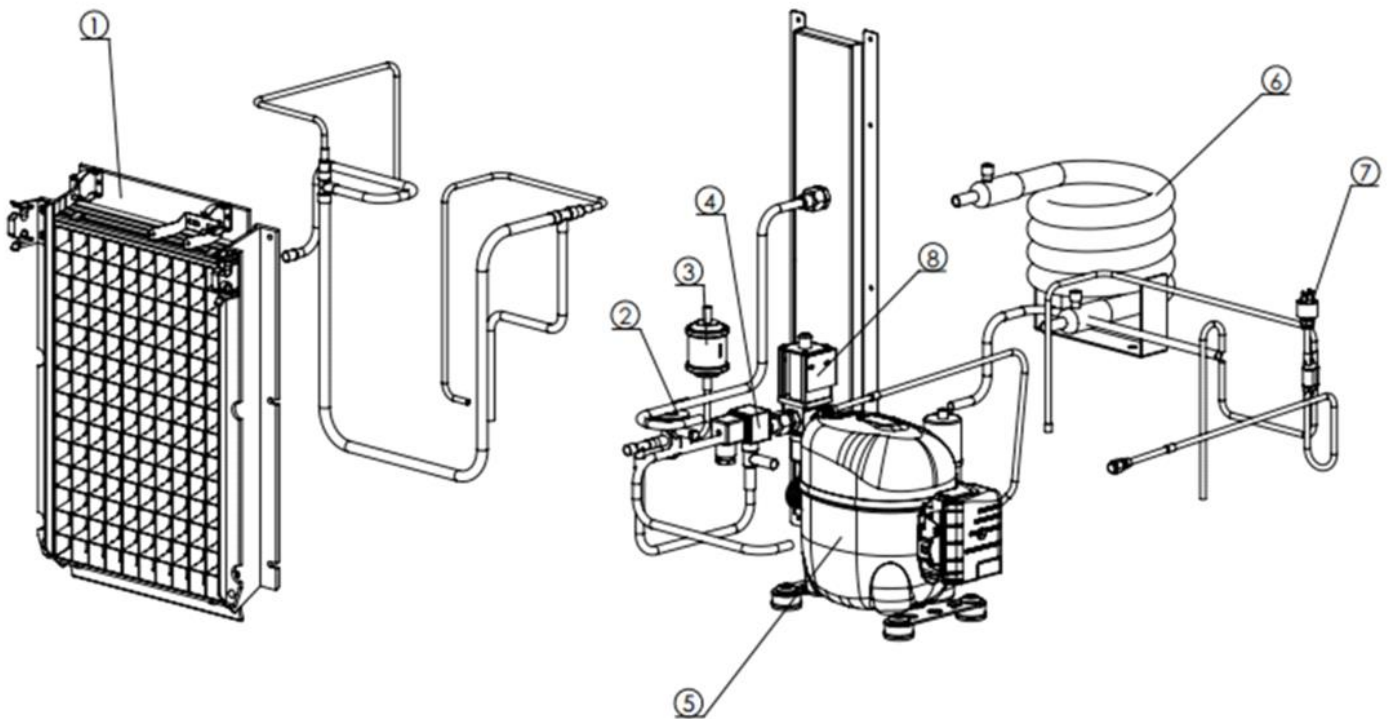
Pos	Code	Description
0001	SCSC 93000043-10	EVAPORATOR DICE
0001	SCSC 93000043-11	EVAPORATOR HALF LARGE
0001	SCSC 93000043-12	EVAPORATOR LARGE CUBE
0002	SCSC 99300605-00	TXV
0003	SCCM 19300357	DRIER
0004	SCSC 97000114-00	HOT GAS VALVE KIT
0005	SC620057 43	STARTING RELAY 230/50/1
0005	SC620057 70	STARTING RELAY 230/60/1 SC670099 00
0005	SC620167 00	START.CAP. - 230/50/1
0005	SC620167 25	RUN CAPACITOR - 220/50-60/1
0005	SC620478 28	PROTECTOR 220/60/1
0005	SC620478 33	PROTECTOR 230/50/1
0005	SC670106 21	COMPRESSOR - 220/60/1
0005	SC670106 23	COMPRESSOR - 230/50/1
0006	SCCM 18562524	MOTOR
0007	SCCM 25726513	BRACKET
0008	SC620419 37	BLADE (#)
0009	SCSC 81000015-00	AIR COOLED CONDENSER
0010	SCCM 19550628	HIGH PRESSURE SAFETY SWIT



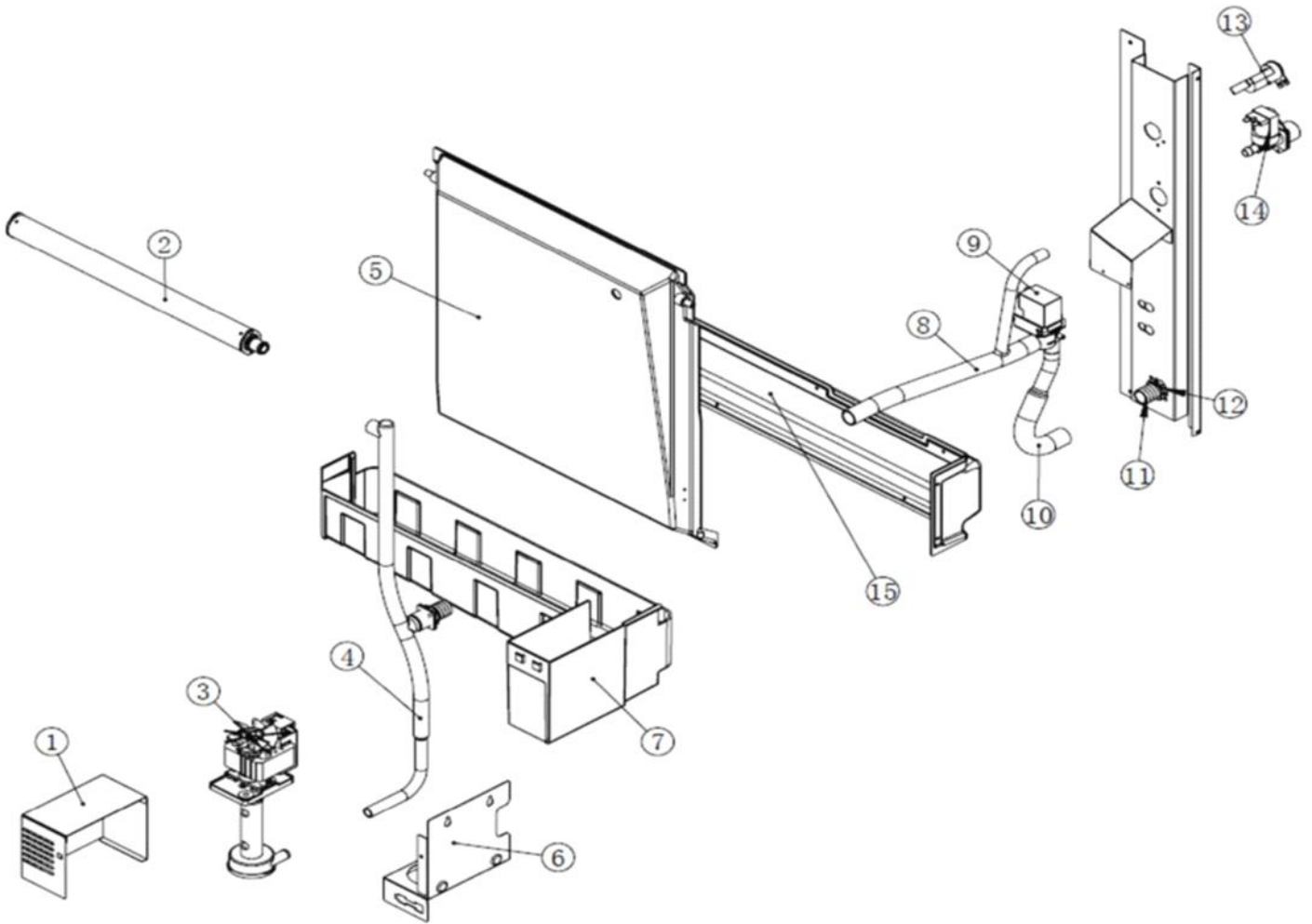
Pos	Code	Description
0001	SCSC 93000043-10	EVAPORATOR DICE
0001	SCSC 93000043-11	EVAPORATOR HALF LARGE
0001	SCSC 93000043-12	EVAPORATOR LARGE CUBE
0002	SCSC 99300605-00	TXV
0003	SCCM 19300357	DRIER
0004	SCSC 19863034-01R	HOT GAS VALVE ASSY 10MM ODS
0005	SC620057 43	STARTING RELAY 230/50/1
0005	SC620057 70	STARTING RELAY 230/60/1 SC670099 00
0005	SC620167 00	START.CAP. - 230/50/1
0005	SC620167 25	RUN CAPACITOR - 220/50-60/1
0005	SC620478 15	PROTECTOR - 8571342
0005	SC620478 28	PROTECTOR 220/60/1
0005	SC670106 21	COMPRESSOR - 220/60/1
0005	SC670106 23	COMPRESSOR - 230/50/1
0006	SCCM 18562524	MOTOR
0007	SCCM 25726513	BRACKET
0008	SC620419 37	BLADE (#)
0009	SCSC 81000015-00	AIR COOLED CONDENSER
0010	SCCM 19550628	HIGH PRESSURE SAFETY SWIT



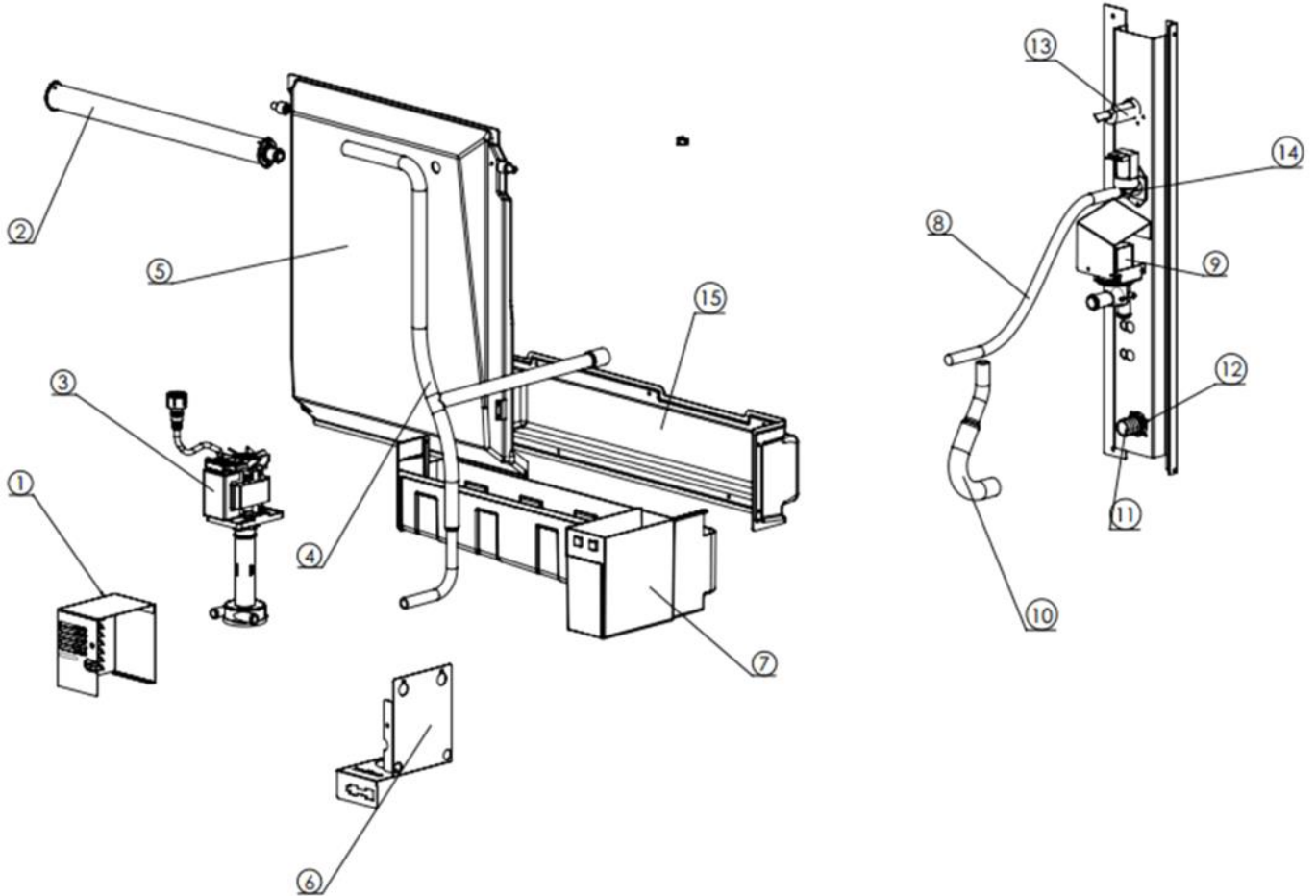
Pos	Code	Description
0001	SCSC 93000043-10	EVAPORATOR DICE
0001	SCSC 93000043-11	EVAPORATOR HALF LARGE
0001	SCSC 93000043-12	EVAPORATOR LARGE CUBE
0002	SCSC 81000065-00	TXV
0003	SCCM 19300357	DRIER
0004	SCSC 97000114-00	HOT GAS VALVE KIT
0005	SC620057 43	STARTING RELAY 230/50/1
0005	SC620167 00	START.CAP. - 230/50/1
0005	SC620167 25	RUN CAPACITOR - 220/50-60/1
0005	SC620478 33	PROTECTOR 230/50/1
0005	SC670106 23	COMPRESSOR - 230/50/1
0006	SCSC 81000054-00	WATER COOLED CONDENSER
0007	SCCM 19550628	HIGH PRESSURE SAFETY SWIT
0008	SCSC 81000006-00	WATER REGULATING VALVE



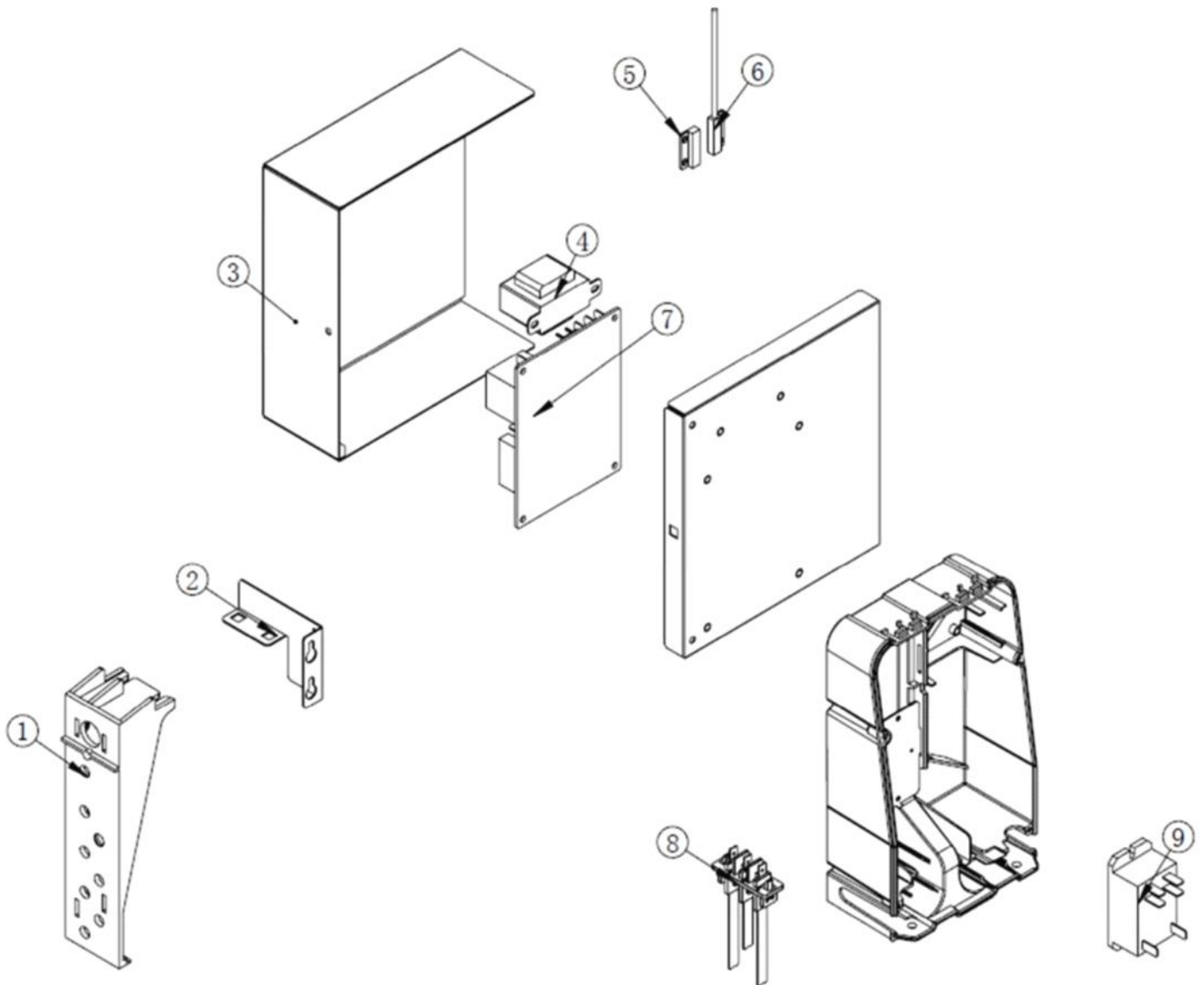
Pos	Code	Description
0001	SCSC 93000043-10	EVAPORATOR DICE
0001	SCSC 93000043-11	EVAPORATOR HALF LARGE
0001	SCSC 93000043-12	EVAPORATOR LARGE CUBE
0002	SCSC 81000065-00	TXV
0003	SCCM 19300357	DRIER
0004	SCSC 19863034-01R	HOT GAS VALVE ASSY 10MM ODS
0005	SC620057 43	STARTING RELAY 230/50/1
0005	SC620167 00	START.CAP. - 230/50/1
0005	SC620167 25	RUN CAPACITOR - 220/50-60/1
0005	SC620478 15	PROTECTOR - 8571342
0005	SC670106 23	COMPRESSOR - 230/50/1
0006	SCSC 81000054-00	WATER COOLED CONDENSER
0007	SCCM 19550628	HIGH PRESSURE SAFETY SWIT
0008	SCSC 81000006-00	WATER REGULATING VALVE



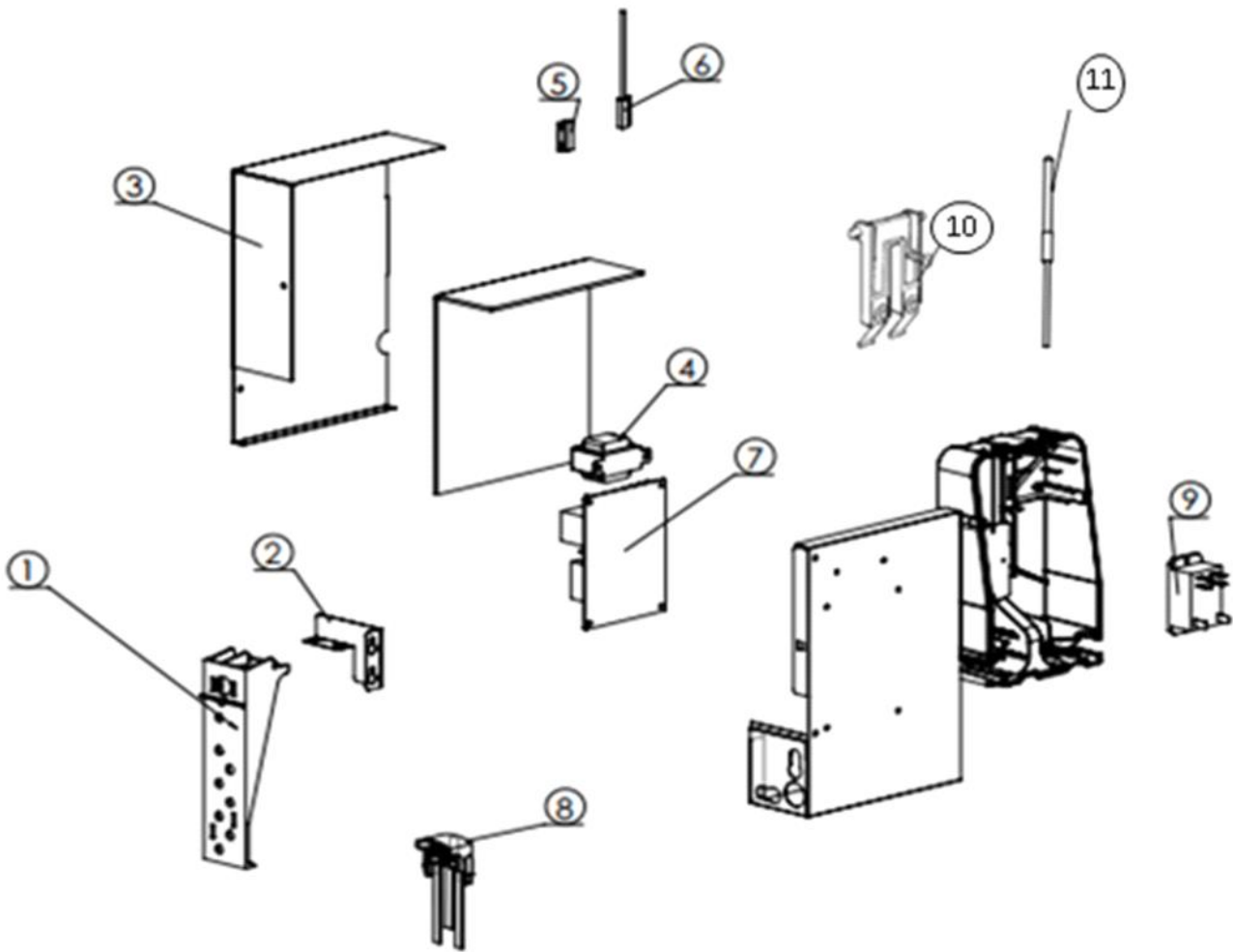
Pos	Code	Description
0001	SCSC 11000086-00	WATER PUMP COVER
0002	SCSC 94000050-00	WATER DISTRIBUTOR 308
0003	SC620433 00	USE SC620433 08R
0003	SC620433 01	WATER PUMP - 230/60/1
0004	SCSC 22000006-00	WATER HOSE
0005	SCSC 41000050-00	USE SCSC 94000010-10
0007	SCSC 41000046-00	WATER SUMP
0008	SCSC 22000004-00	WATER HOSE
0009	SCSC 82000017-99	WATER PROOF DRAIN VALVE 230 V
0010	SCSC 22000005-00	WATER DRAIN HOSE
0011	SCSC 41000007-00	WATER DRAIN FITTING
0012	SC660535 00	PLASTIC NUT
0013	SC630107 01	CABLE HOLDER
0014	SCSC 65010500-00	WATER INLET VALVE



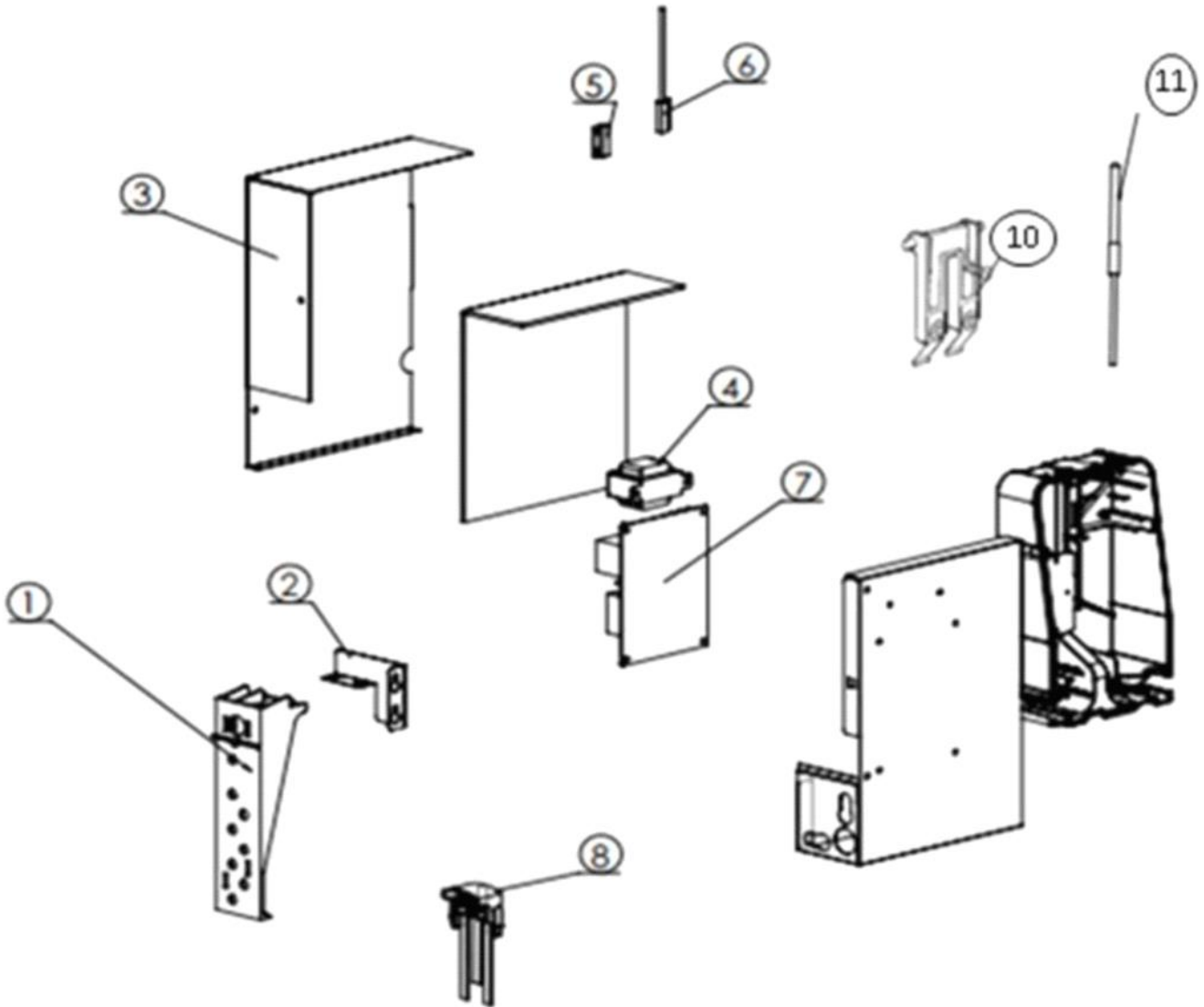
Pos	Code	Description
0001	SCSC 11000341-00	WATER PUMP COVER
0002	SCSC 94000050-00	WATER DISTRIBUTOR 308
0003	SCSC 82000009-02	WATER PUMP - 230/60/1
0003	SCSC 82000010-02	WATER PUMP - 230/50/1
0004	SCSC 22000017-00	WATER TUBE
0005	SCSC 41000050-00	USE SCSC 94000010-10
0006	SCSC 11000340-00	WATER PUMP BRACKET
0007	SCSC 41000046-00	WATER SUMP
0008	SCSC 22000007-00	WATER INLET HOSE
0009	SC11000564 02	USE SCSC 82000017-99
0010	SCSC 22000005-00	WATER DRAIN HOSE
0011	SCSC 41000007-00	WATER DRAIN FITTING
0012	SC660535 00	PLASTIC NUT
0013	SC630107 01	CABLE HOLDER
0014	SCSC 65010500-00	WATER INLET VALVE
0015	SCSC 41000049-00	WATER TANK BRACKET



Pos	Code	Description
0001	SCSC 41000008-00	USE SCSC 97000287-00
0002	SCSC 11000113-00	USE SCSC 11000537-00
0003	SCSC 11000109-00	CONTROL BOX COVER - OLD VERSION
0004	SCSC 99020404-00	TRANSFORMER
0005	SCSC 98050102-00	MAGNET
0006	SCSC 98050103-00	MAGNET SWITCH
0007	SCSC 98050101-00	PC BOARD - 230/50-60/1
0008	SCSC 41000045-00	WATER LEVEL SENSOR
0009	SCSC 30000003-00	RELAY
0010	SCSC 98050106-00	ICE THICKNESS SENSOR
0011	SCSC 99020468-00	CONDENSER SENSOR
0012	SCSC 98050105-00	MONITORING LED ASSY



Pos	Code	Description
0001	SCSC 41000008-00	USE SCSC 97000287-00
0001	SCSC 98050105-00	MONITORING LED ASSY
0002	SCSC 11000113-00	USE SCSC 11000537-00
0003	SCSC 11000339-00	COVER
0004	SCSC 99020404-00	TRANSFORMER
0005	SC11000563 02	MAGNET
0006	SCSC 98050103-00	MAGNET SWITCH
0007	SCSC 98050101-00	PC BOARD - 230/50-60/1
0008	SCSC 97000092-10	WATER LEVEL SENSOR
0009	SCSC 30000003-00	RELAY
0010	SCSC 98050106-00	ICE THICKNESS SENSOR
0011	SCSC 99020468-00	CONDENSER SENSOR
0012	SCSC 98050105-00	MONITORING LED ASSY



Pos	Code	Description
0001	SCSC 41000008-00	USE SCSC 97000287-00
0001	SCSC 98050105-00	MONITORING LED ASSY
0002	SCSC 11000113-00	USE SCSC 11000537-00
0003	SCSC 11000339-00	COVER
0004	SCSC 99020404-00	TRANSFORMER
0005	SC11000563 02	MAGNET
0006	SCSC 98050103-00	MAGNET SWITCH
0007	SCSC 98050101-00	PC BOARD - 230/50-60/1
0008	SCSC 97000092-10	WATER LEVEL SENSOR
0010	SCSC 98050106-00	ICE THICKNESS SENSOR
0011	SCSC 99020468-00	CONDENSER SENSOR
0012	SCSC 98050105-00	MONITORING LED ASSY