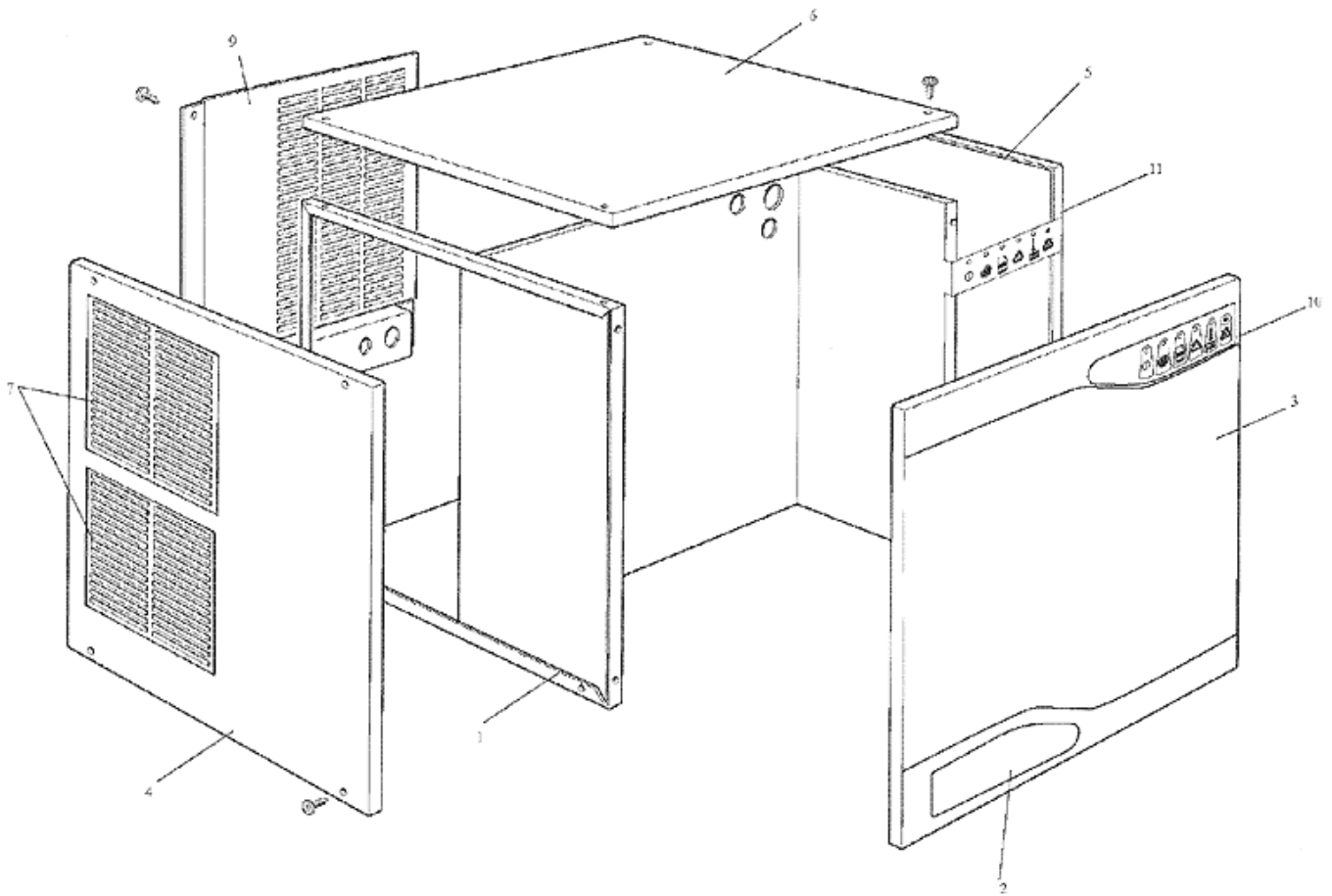
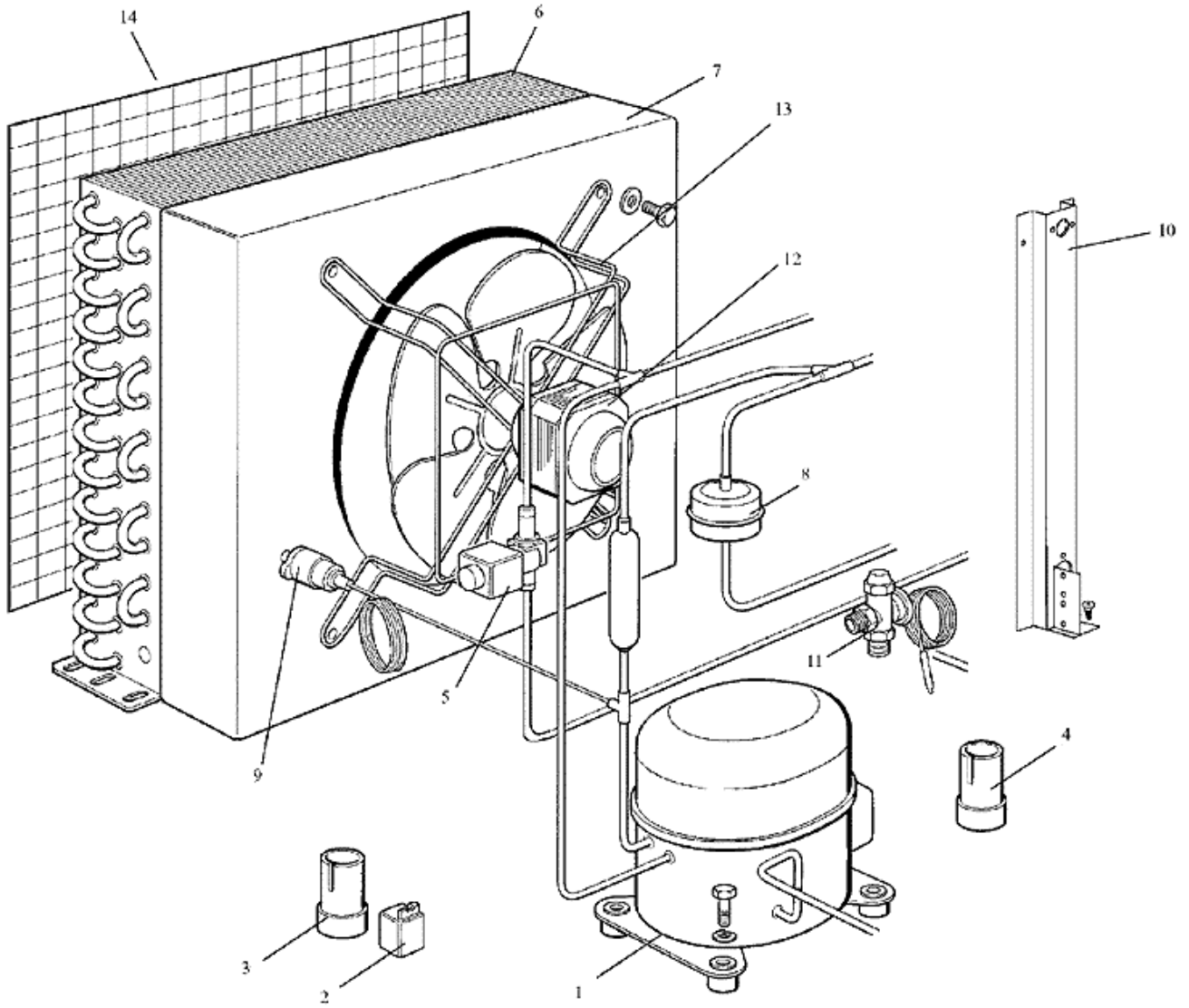


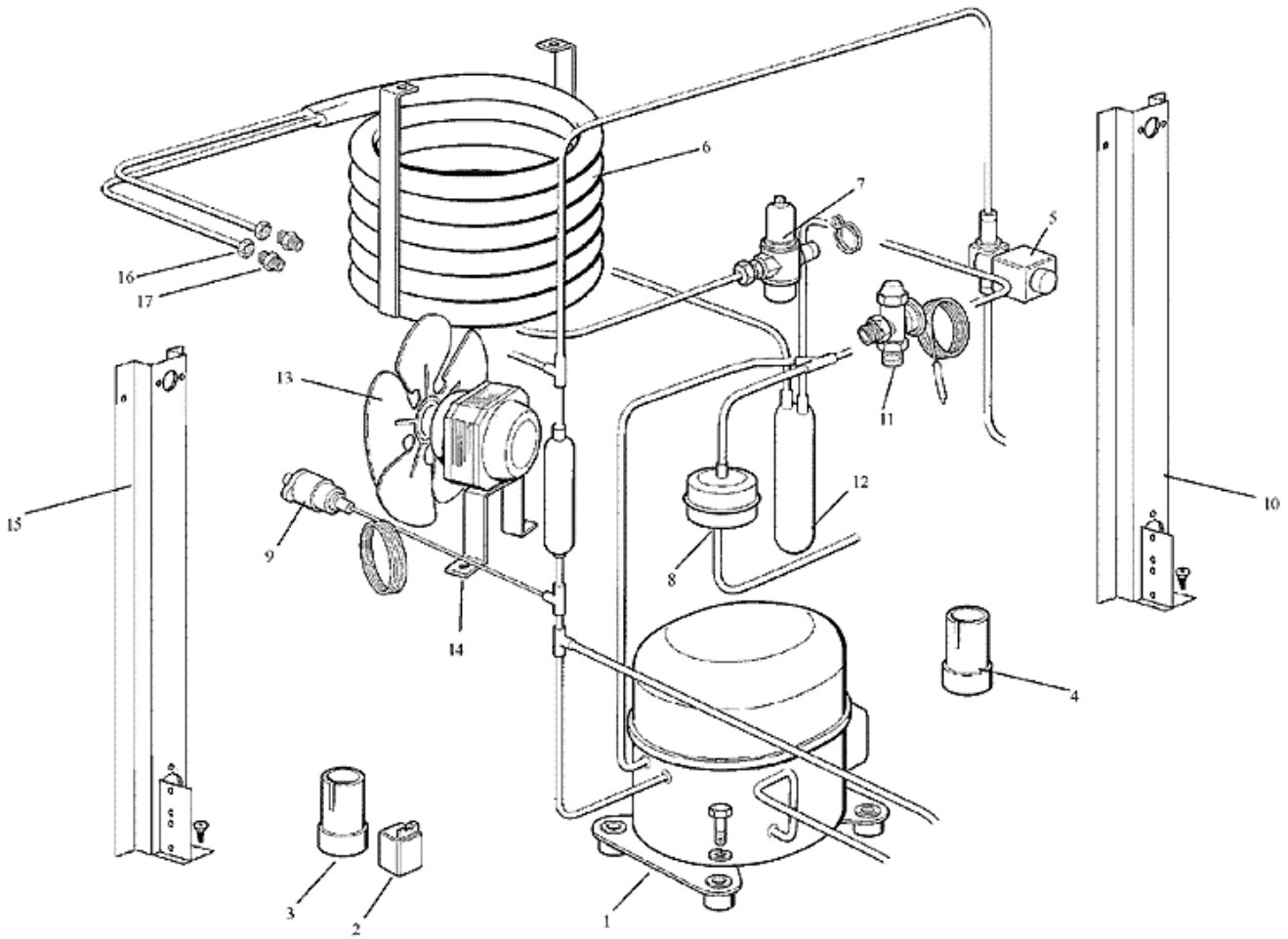
Pos	Code	Description
0002	SC650850 00	SCOTSMAN EMBLEM
0003	SCSC 91000078-00	USE SCSC 91000078-10
0004	SCCM 25330799	LEFT SIDE PANEL
0005	SCCM 25330798	RIGHT SIDE PANEL
0006	SCCM 81453600	TOP PANEL (USE SCCM 81455074)
0007	SCCM 28295030	GRILL PLASTIC
0010	SCSC 98020201-02	MONITORING LED LABEL - NW series
0011	SCSC 41000008-00	USE SCSC 97000287-00



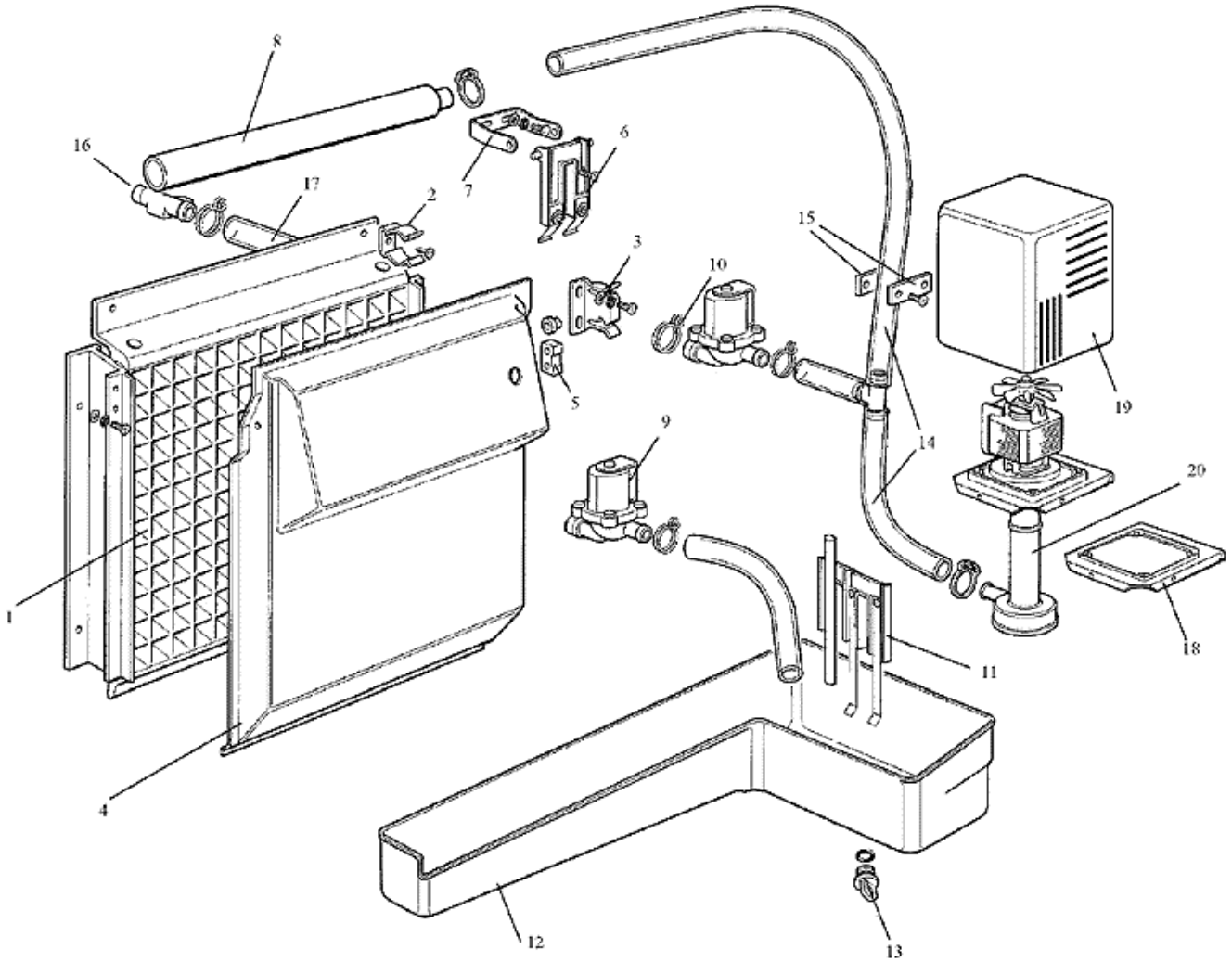
Pos	Code	Description
0002	SC650850 00	SCOTSMAN EMBLEM
0003	SCSC 91000078-00	USE SCSC 91000078-10
0004	SCSC 11000093-00	LEFT SIDE PANEL
0005	SCSC 11000094-00	RIGHT SIDE PANEL
0006	SCCM 81453600	TOP PANEL (USE SCCM 81455074)
0007	SCSC 41000038-01	PLASTIC SHUTTER
0010	SCSC 98020201-02	MONITORING LED LABEL - NW series
0011	SCSC 41000008-00	USE SCSC 97000287-00



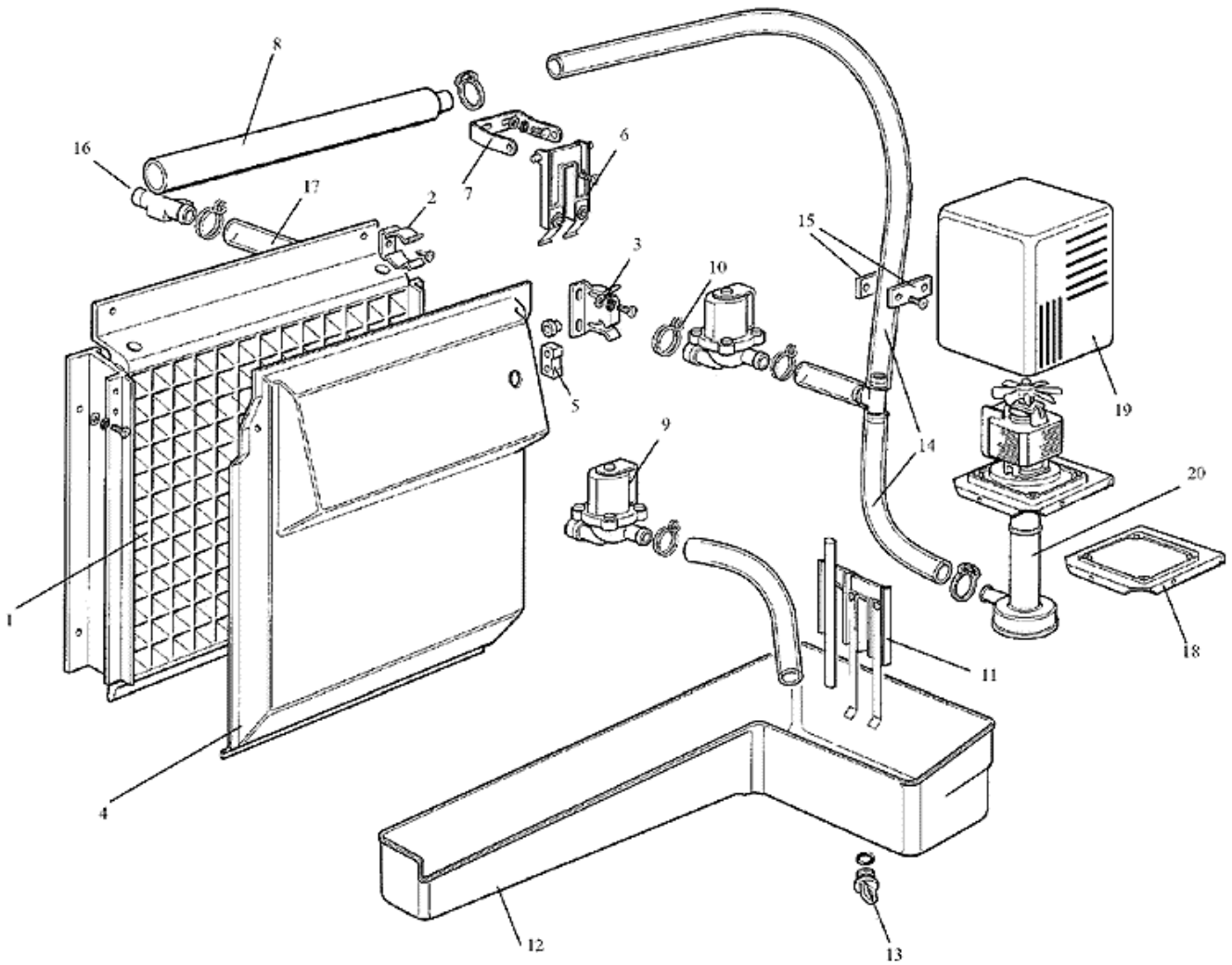
Pos	Code	Description
0001	SC630144 00	CRANCKASE HEATER - 8583035
0001	SC670098 00	USE SC670115 00
0001	SCSC 81000007-99	COMPRESSOR 230/60/1
0001	SCSC 97000237-00R	KIT COMPRESSOR FOR AIR COOLED
0002	SC620057 43	STARTING RELAY 230/50/1
0002	SC620057 55	STARTING RELAY 230/60/1
0003	SC620167 48	START CAPACITOR - 230/50/1
0004	SC620167 54	RUN CAPACITOR - 215/60/1
0005	SCSC 19863034-01R	HOT GAS VALVE ASSY 10MM ODS
0005	SCSP 1124012	USE SCCA 9300/RA6
0006	SCCM 19177078	AIR COOLED CONDENSER
0008	SCCM 19300355	DRIER
0009	SCCM 19550628	HIGH PRESSURE SAFETY SWIT
0010	SCCM 25725550	BRACKET
0011	SCCM 19870312	EXP VALVE
0011	SCCM 25410055	TXV INSULATION
0011	SCCM 81453840	TXV 230/50/1 & 220/60/1
0012	SCCM 18562524	MOTOR
0012	SCCM 25726513	BRACKET
0013	SC620419 37	BLADE (#)
0013	SCCM 25726513	BRACKET
0014	SCCM 25339008	FILTER



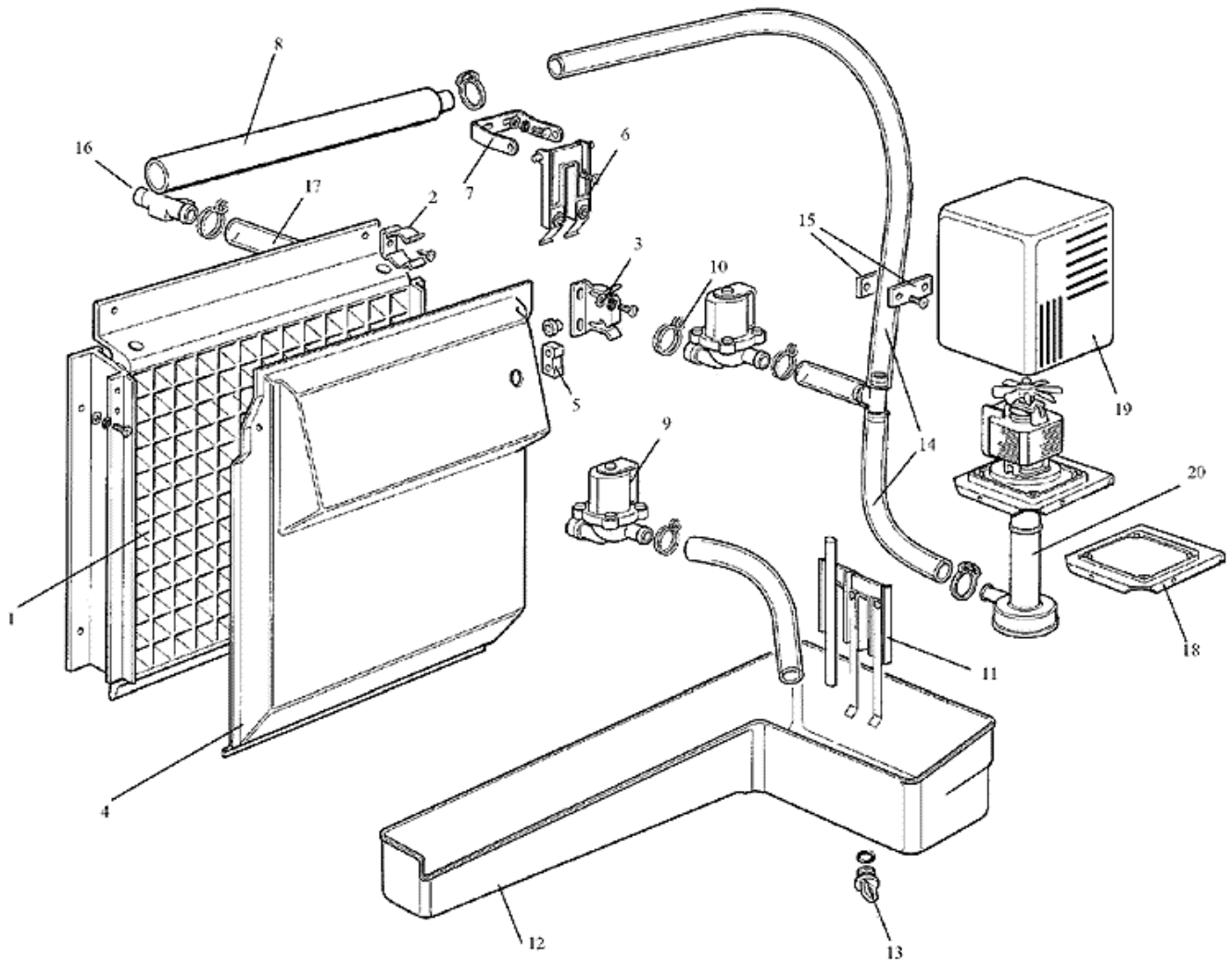
Pos	Code	Description
0001	SC630144 00	CRANCKASE HEATER - 8583035
0001	SC670098 00	USE SC670115 00
0001	SCSC 81000007-99	COMPRESSOR 230/60/1
0001	SCSC 97000238-00R	KIT COMPRESSOR FOR WATER COOLED
0002	SC620057 43	STARTING RELAY 230/50/1
0002	SC620057 55	STARTING RELAY 230/60/1
0003	SC620167 48	START CAPACITOR - 230/50/1
0004	SC620167 54	RUN CAPACITOR - 215/60/1
0005	SCSC 19863034-01R	HOT GAS VALVE ASSY 10MM ODS
0005	SCSP 1124012	USE SCCA 9300/RA6
0006	SCSC 81000005-00	WATER COOLED CONDENSER
0007	SCSC 81000006-00	WATER REGULATING VALVE
0008	SCCM 19300355	DRIER
0009	SCCM 19550628	HIGH PRESSURE SAFETY SWIT
0010	SCCM 25725551	BRACKET
0011	SCCM 19870312	EXP VALVE
0011	SCCM 25410055	TXV INSULATION
0011	SCCM 81453840	TXV 230/50/1 & 220/60/1
0012	SCSC 81000008-00	LIQUID RECEIVER
0015	SCSC 11000052-00	COND. WATER INLET/OUTLET LEFT PANEL 1008
0016	SCSC 94000011-00	KIT WATER INLET FITTINGS
0017	SCSC 94000012-00	KIT WATER OUTLET FITTINGS



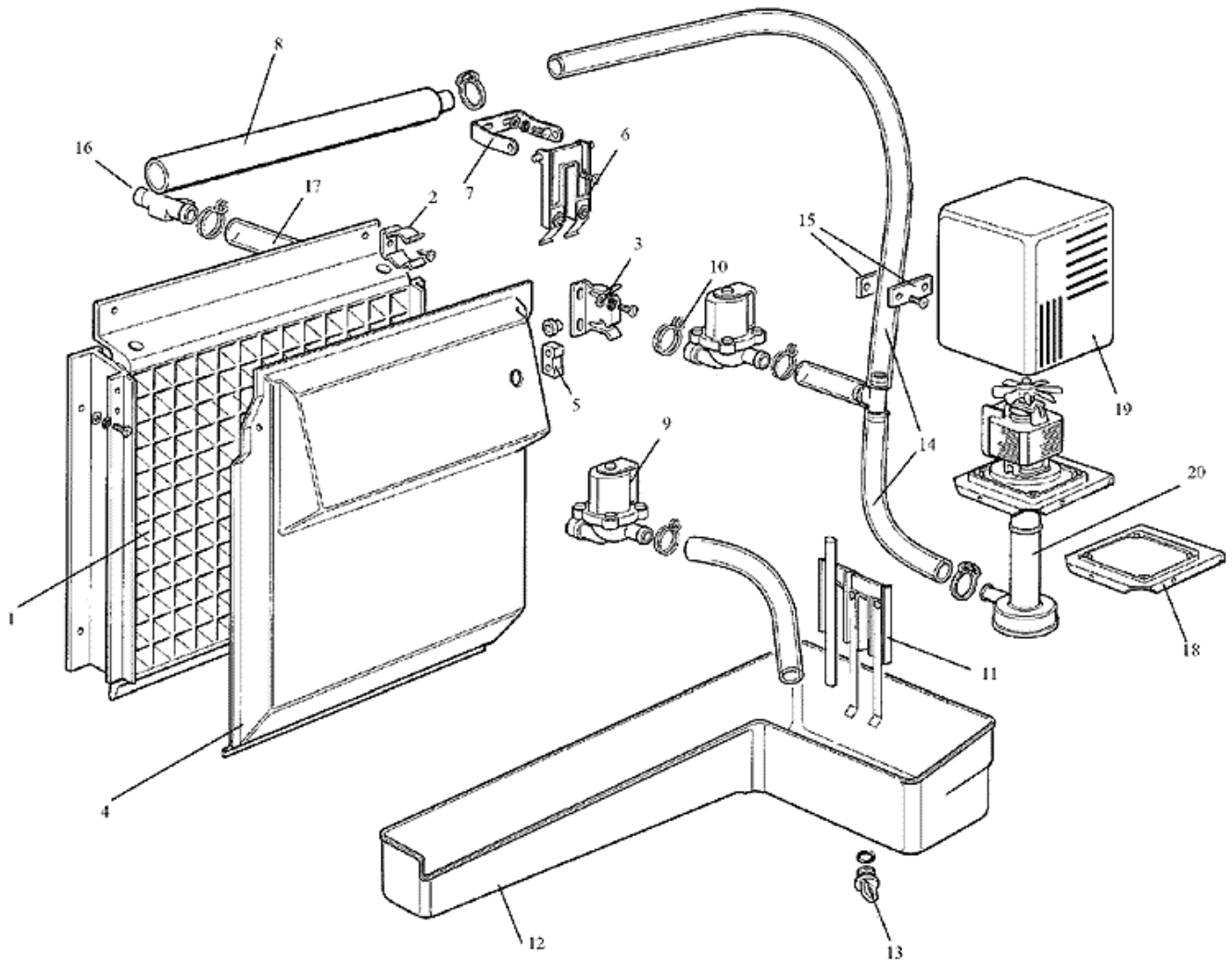
Pos	Code	Description
0001	SCSC 93000046-10	EVAPORATOR DICE
0001	SCSC 93000046-11	EVAPORATOR HALF LARGE
0002	SCCM 25474608	METAL CLIP
0003	SCSC 25726473-00	ICE DEFLECTOR BRACKET
0004	SCCM 81453651	USE SCSC 81453651-10
0005	SCCM 19355007	MGT
0006	SCCM 81453434	SENSOR, ICE THICKNESS
0007	SCCM 25725450	SENSOR SYST. BRKT
0008	SCCM 81453575	USE SCSC 94000052-00
0009	SCSC 65010500-00	WATER INLET VALVE
0010	SC11000564 02	USE SCSC 82000017-99
0011	SCCM 81453796	WATER LEVEL SENSOR
0012	SCCM 25820125	WATER SUMP
0012	SCSC 19950006-00	THUMB SCREW PLASTIC HEAD
0013	SC640041 31	O RING OR 2031 (WRAS-FDA)
0013	SCCM 25730503	DRAIN PLUG.
0014	SCSC 81454806-00	WATER TUBE
0015	SC793247 00R	WATER RESTRICTION KIT
0016	SCCM 25690807	DRAIN FITTING
0017	SCCM 25791643	TUBE
0018	SCCM 25725531	PUMP BRACKET
0019	SCCM 81453627	WATER PUMP COVER
0020	SC620433 00	USE SC620433 08R
0020	SC620433 01	WATER PUMP - 230/60/1



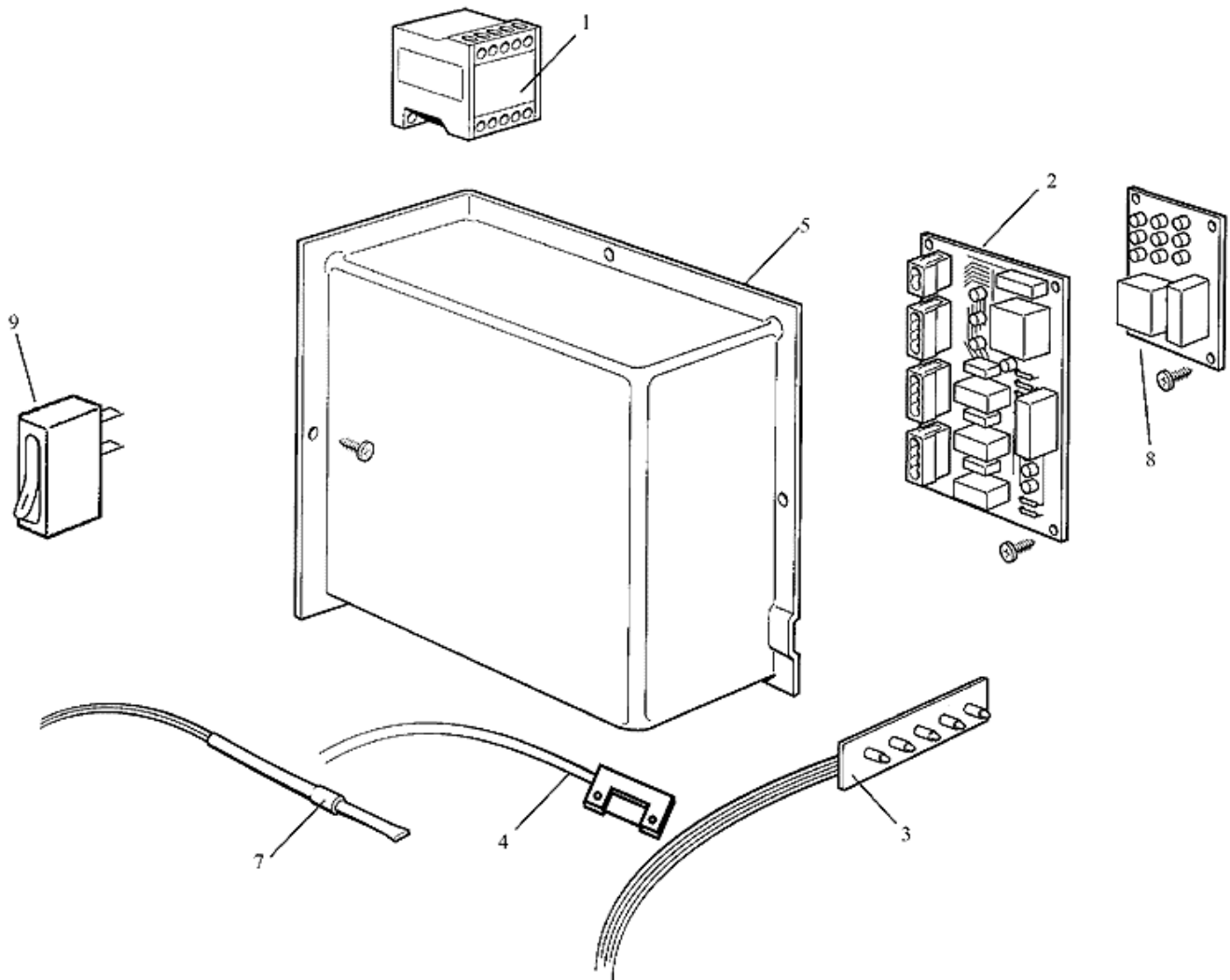
Pos	Code	Description
0001	SCSC 93000046-10	EVAPORATOR DICE
0001	SCSC 93000046-11	EVAPORATOR HALF LARGE
0002	SCCM 25474608	METAL CLIP
0003	SCSC 25726473-00	ICE DEFLECTOR BRACKET
0004	SCCM 81453651	USE SCSC 81453651-10
0005	SC11000563 02	MAGNET
0006	SCSC 98050106-00	ICE THICKNESS SENSOR
0007	SCCM 25725450	SENSOR SYST. BRKT
0008	SCCM 81453575	USE SCSC 94000052-00
0009	SCSC 65010500-00	WATER INLET VALVE
0010	SC11000564 02	USE SCSC 82000017-99
0011	SCSC 98050107-00	WATER LEVEL SENSOR
0012	SCCM 25820125	WATER SUMP
0012	SCSC 19950006-00	THUMB SCREW PLASTIC HEAD
0013	SC640041 31	O RING OR 2031 (WRAS-FDA)
0013	SCCM 25730503	DRAIN PLUG.
0014	SCSC 81454806-00	WATER TUBE
0015	SC793247 00R	WATER RESTRICTION KIT
0016	SCCM 25690807	DRAIN FITTING
0017	SCCM 25791643	TUBE
0018	SCCM 25725531	PUMP BRACKET
0019	SCCM 81453627	WATER PUMP COVER
0020	SC620433 00	USE SC620433 08R
0020	SC620433 01	WATER PUMP - 230/60/1



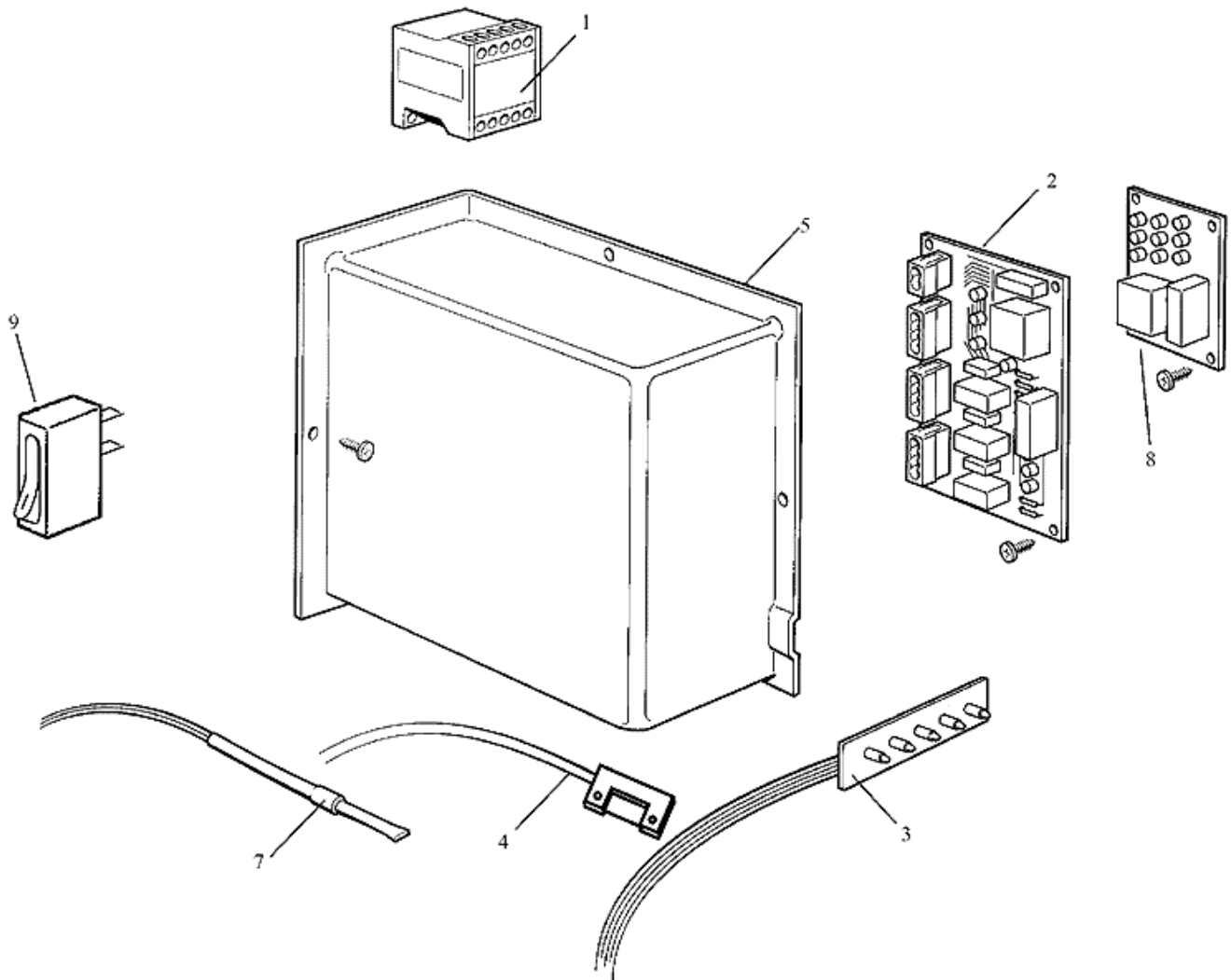
Pos	Code	Description
0001	SCSC 93000046-10	EVAPORATOR DICE
0001	SCSC 93000046-11	EVAPORATOR HALF LARGE
0001	SCSC 93000046-12	EVAPORATOR LARGE CUBE
0002	SCCM 25474608	METAL CLIP
0003	SCSC 25726473-00	ICE DEFLECTOR BRACKET
0004	SCCM 81453651	USE SCSC 81453651-10
0005	SC11000563 02	MAGNET
0006	SCSC 98050106-00	ICE THICKNESS SENSOR
0007	SCCM 25725450	SENSOR SYST. BRKT
0008	SCCM 81453575	USE SCSC 94000052-00
0009	SCSC 65010500-00	WATER INLET VALVE
0010	SC11000564 02	USE SCSC 82000017-99
0011	SCSC 98050107-00	WATER LEVEL SENSOR
0012	SCSC 19950006-00	THUMB SCREW PLASTIC HEAD
0012	SCSC 41000004-00	USE SCSC 94000002-10
0013	SCSC 41000005-00	DRAIN PLUG
0013	SCSC 87000001-00	O RING
0014	SCSC 81454806-00	WATER TUBE
0015	SC793247 00R	WATER RESTRICTION KIT
0016	SCCM 25690807	DRAIN FITTING
0017	SCCM 25791643	TUBE
0018	SCSC 11000058-00	WATER PUMP BRACKET
0019	SCSC 91000015-00	WATER PUMP COVER
0020	SC620433 00	USE SC620433 08R
0020	SC620433 01	WATER PUMP - 230/60/1



Pos	Code	Description
0001	SCSC 93000046-10	EVAPORATOR DICE
0001	SCSC 93000046-11	EVAPORATOR HALF LARGE
0001	SCSC 93000046-12	EVAPORATOR LARGE CUBE
0002	SCCM 25474608	METAL CLIP
0003	SCSC 25726473-00	ICE DEFLECTOR BRACKET
0004	SCCM 81453651	USE SCSC 81453651-10
0005	SC11000563 02	MAGNET
0006	SCSC 98050106-00	ICE THICKNESS SENSOR
0007	SCCM 25725450	SENSOR SYST. BRKT
0008	SCCM 81453575	USE SCSC 94000052-00
0009	SCSC 65010500-00	WATER INLET VALVE
0010	SC11000564 02	USE SCSC 82000017-99
0011	SCSC 98050107-00	WATER LEVEL SENSOR
0012	SCSC 19950006-00	THUMB SCREW PLASTIC HEAD
0012	SCSC 41000004-00	USE SCSC 94000002-10
0013	SCSC 41000005-00	DRAIN PLUG
0013	SCSC 87000001-00	O RING
0014	SCSC 81454806-00	WATER TUBE
0015	SC793247 00R	WATER RESTRICTION KIT
0016	SCCM 25690807	DRAIN FITTING
0017	SCCM 25791643	TUBE
0018	SCSC 11000058-00	WATER PUMP BRACKET
0019	SCSC 91000015-00	WATER PUMP COVER
0020	SC620433 00	USE SC620433 08R
0020	SC620433 01	WATER PUMP - 230/60/1



Pos	Code	Description
0001	SCSC 63012405-01	RELAY
0002	SCCM 33580250	PC BOARD - 230/50-60/1
0002	SCCM 81453574	2 POLES CONNECTOR
0002	SCCM 81453826	4 POLES CONNECTOR
0002	SCCM 81453827	5 POLES CONNECTOR
0002	SCCM 81453828	3 POLES CONNECTOR
0003	SCCM 33580151	MONITORING LED ASSY
0004	SCCM 33210019	USE SCCM 33210019-1
0005	SCSC 98010601-00	CONTROL BOX COVER
0007	SCCM 33580101	CONDENSER SENSOR
0008	SCCM 33580173	START DELAYED ELEC. CARD
0009	SCCM 33400046	PUSH BUTTON



Pos	Code	Description
0001	SCSC 63012405-01	RELAY
0002	SCSC 98050101-00	PC BOARD - 230/50-60/1
0002	SCSC 99020404-00	TRANSFORMER
0003	SCSC 98050105-00	MONITORING LED ASSY
0004	SCSC 98050103-00	MAGNET SWITCH
0005	SCSC 98010601-00	CONTROL BOX COVER
0007	SCSC 99020468-00	CONDENSER SENSOR
0009	SCSC 98050108-00	START DELAY SWITCH