

NXW 1007

Scotsman

Modular Ice Machine 480 kg

Item # :
Project :
Quantity :



FEATURES

- New Core Design
 - * The new evaporator enhances both lifespan and production capacity.
 - * Special water pump with reliable and easy disassemble , no-noise design.
 - * Ergonomic design Ice thickness adjustment and water level control system
 - * Innovated ice dorp design
 - * Environmental-friendly refrigerant and high efficient cooling system
 - * Upgraded water system creating clean and health ice production
- More convenient operation
 - * Blue teeth connection , better controlled APP
 - * Side-way Door
 - * Simply and reliable water distributor
 - * Completely easy moveable structure in food zone for cleaning
- More health safe Ice
 - * Complete closed ice making zone
 - * Food zone isolated from mechanical zone
 - * Brand-new internal antibacterial technology—XSAFE , 24-hour sterilization all day
- Operation System
 - * Supports cloud monitoring and connection
 - * Brand new hardware and software configuration
 - * Human-APP interaction interface
 - * " Auto Cleaning " Reminding
- Design standards
 - * CE,CB,GB EMC, NSF
 - * Energy star
 - * R290 refrigerant



NXW 1007
Dice-10g
W22 xD22xH22 mm



NXW H 1007
Half Dice-6g
W10 xD22xH28 mm



NXW L 1007
Large Dice-15g
W28 xD22xH28 mm

CONDENSING SYSTEM

Air cooled

REFRIGERANT GAS

R290

VOLTAGE V/ Hz /ph

230/50/1

RECOMMENDED BINS

Head	Bins		kg
NXW 1007	✓	SB 393	181
	✓	SB 530	243
	CBT 30 EM CD	SB 948	406
	CBT 30 EM CD	SB 1025	478
	●	UBH 1100	553
	●	UBH 1600	812

LEGEND:

- ✓ : Perfect combination between ice maker and bin
- : Ice chute cut-out performed upon installation

CERTIFICATIONS



OPERATING REQUIREMENTS

	Minimum	Maximum
Air temperature	10 °C	40 °C
Water temperature	5 °C	35 °C
Water pressure	1 bar (14 psi)	5 bar (70 psi)
Electrical voltage	-10%	+10%

IMPORTANT NOTICE:
Models and specifications are subject to change without notice.
This spec sheet is meant for commercial purpose only.
For technical documentation please refer to our service manuals.

Down load our free **App Scotsman Ice**
Apple Storep
Google play
Windows Store



www.scotsman-ice.it
www.scotsman-ice.com

NXW 1007

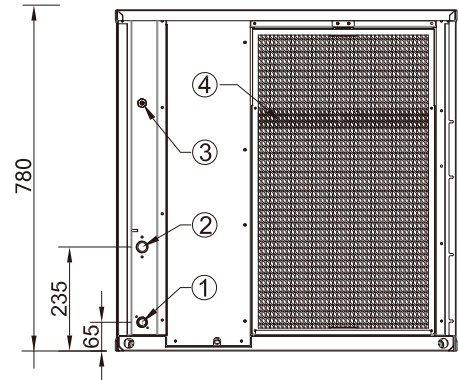
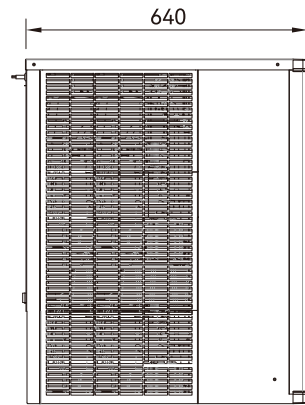
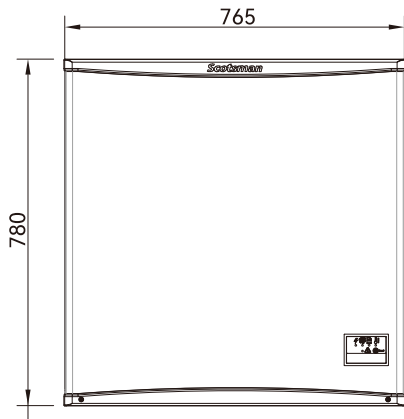
Scotsman

Modular Ice Machine 480 kg

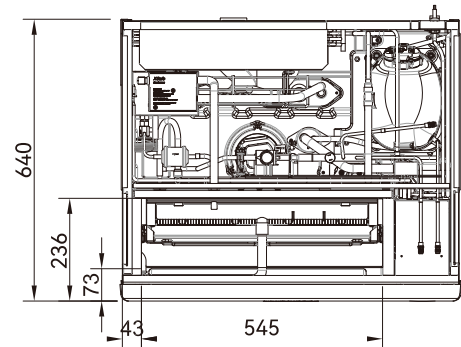
Item # :

Project :

Quantity :



1. 3/4" GAS-WATER OUTLET
2. 3/4" GAS-WATER INLET
3. CORD SET
4. AIR INLET / AIR FILTER



UNIT DATA		SHIPPING DATA				(*) Data refer to 32°C Amb. / 21°C Water temperature conditions					
Size WxDxH	767 x 636 x 780 mm	Carton WxDxH	700 x 820 x 920 mm								
Net weight	97 kg	Weight	113 kg								
Version	Voltage	24 h ice production kg °C Amb. / °C Water			Energy consumption (*)		Water usage (*)	Instant power	Compressor	Circuit wires	Max. fuse size
		10°C/10°C kg	21°C/10°C kg	32°C/21°C kg	kwh/ 100 kg	kwh/ 24h	l/h	W	W	No. x Ømm²	A
NXW 1007 A	230/50/1	460	437	380	9.9	37.7	19.2	1620	4743	3 x 2.5	30
NXW H 1007 A	230/50/1	480	470	390	9.9	38.7	19.3	1620	4743	3 x 2.5	30
NXW L 1007 A	230/50/1	450	430	360	10.6	38.1	18.2	1620	4743	3 x 2.5	30

(*) Data refer to 32°C Amb. / 21°C Water temperature conditions

Milano Madrid Chicago Dubai Singapore Shanghai Johannesburg